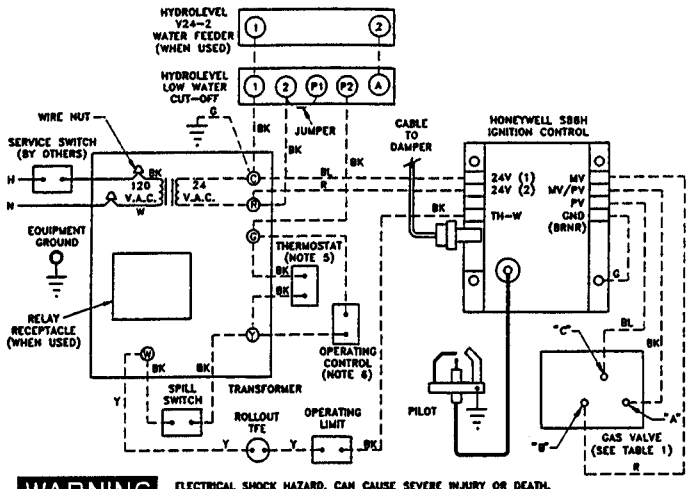


# SCHEMATIC WIRING DIAGRAM



**WARNING** ELECTRICAL SHOCK HAZARD. CAN CAUSE SEVERE INJURY OR DEATH. DISCONNECT POWER BEFORE INSTALLING AND/OR SERVICING.

- NOTES:
- ALL WIRING MUST BE INSTALLED IN ACCORDANCE WITH:
    - U.S.A. - NATIONAL ELECTRICAL CODE AND ANY OTHER NATIONAL, STATE, OR LOCAL CODE REQUIREMENTS HAVING JURISDICTION.
    - CANADA - C.S.A. C22.1 CANADIAN ELECTRICAL CODE PART 1 AND ANY OTHER NATIONAL, PROVINCIAL, OR LOCAL CODE REQUIREMENTS HAVING JURISDICTION.
  - ALL SAFETY CIRCUIT WIRING MUST BE:
    - U.S.A. - N.E.C. CLASS 1.
    - CANADA - C.S.A. C22.1 C.E.C. PART 1.
  - IF ORIGINAL ROLLOUT TFE WIRE AS SUPPLIED WITH THE APPLIANCE MUST BE REPLACED, TYPE 200C WIRE OR ITS EQUIVALENT MUST BE USED. IF OTHER ORIGINAL WIRE AS SUPPLIED WITH THE APPLIANCE MUST BE REPLACED, TYPE 90C OR ITS EQUIVALENT MUST BE USED.
  - REFER TO CONTROL COMPONENT INSTRUCTIONS PACKED WITH BOILER FOR APPLICATION INFORMATION.
  - SET THERMOSTAT ANTICIPATOR SETTING TO MATCH AMPERE DRAW OF GAS VALVE.
  - OPERATING CONTROL REQUIRED WITH TANKLESS HEATER.

**NOTICE** - ALL CONTACTS SHOWN WITHOUT POWER APPLIED - OFF SHELF CONDITION.

# LADDER WIRING DIAGRAM

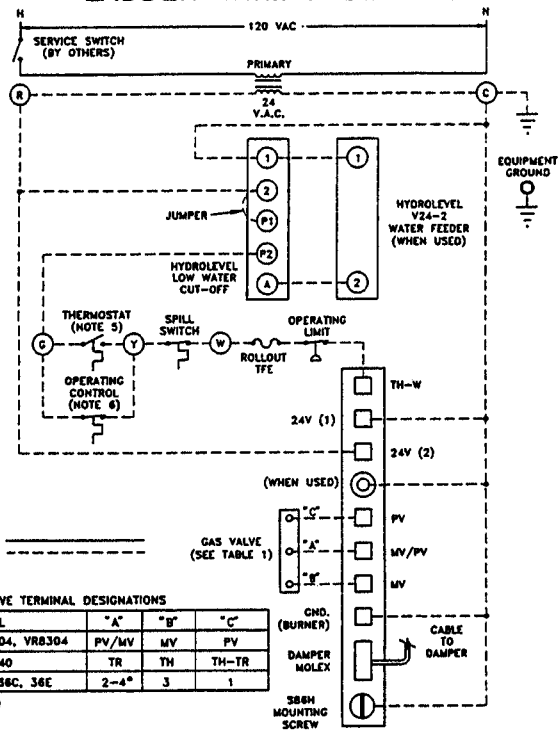


TABLE 1: GAS VALVE TERMINAL DESIGNATIONS

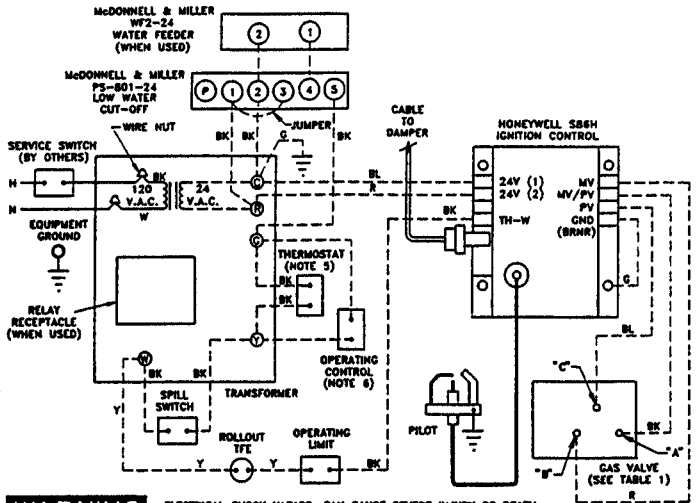
GAS VALVE MODEL	"A"	"B"	"C"
HONEYWELL VR8204, VR8304	PV/MV	MV	PV
HONEYWELL VR8440	TR	TH	TH-TR
WHITE-RODGERS 36C, 36E	2-4*	3	1

\*FACTORY JUMPERED

Wiring Diagram for EG  
 • Intermittent Ignition System, Honeywell SB8H  
 • Steam, With or Without Tankless  
 • Hydrollevel Low Water Cut-Off

**WEIL-McLAIN**  
 A Division of The Marley Company  
 Michigan City, Indiana 46360  
 PART NUMBER 550-224-080/1290WM

# SCHEMATIC WIRING DIAGRAM



**WARNING** ELECTRICAL SHOCK HAZARD. CAN CAUSE SEVERE INJURY OR DEATH. DISCONNECT POWER BEFORE INSTALLING AND/OR SERVICING.

- NOTES:
- ALL WIRING MUST BE INSTALLED IN ACCORDANCE WITH:
    - U.S.A. - NATIONAL ELECTRICAL CODE AND ANY OTHER NATIONAL, STATE, OR LOCAL CODE REQUIREMENTS HAVING JURISDICTION.
    - CANADA - C.S.A. C22.1 CANADIAN ELECTRICAL CODE PART 1 AND ANY OTHER NATIONAL, PROVINCIAL, OR LOCAL CODE REQUIREMENTS HAVING JURISDICTION.
  - ALL SAFETY CIRCUIT WIRING MUST BE:
    - U.S.A. - N.E.C. CLASS 1.
    - CANADA - C.S.A. C22.1 C.E.C. PART 1.
  - IF ORIGINAL ROLLOUT TFE WIRE AS SUPPLIED WITH THE APPLIANCE MUST BE REPLACED, TYPE 200C WIRE OR ITS EQUIVALENT MUST BE USED. IF OTHER ORIGINAL WIRE AS SUPPLIED WITH THE APPLIANCE MUST BE REPLACED, TYPE 90C OR ITS EQUIVALENT MUST BE USED.
  - REFER TO CONTROL COMPONENT INSTRUCTIONS PACKED WITH BOILER FOR APPLICATION INFORMATION.
  - SET THERMOSTAT ANTICIPATOR SETTING TO MATCH AMPERE DRAW OF GAS VALVE.
  - OPERATING CONTROL REQUIRED WITH TANKLESS HEATER.

**NOTICE** - ALL CONTACTS SHOWN WITHOUT POWER APPLIED - OFF SHELF CONDITION.

# LADDER WIRING DIAGRAM

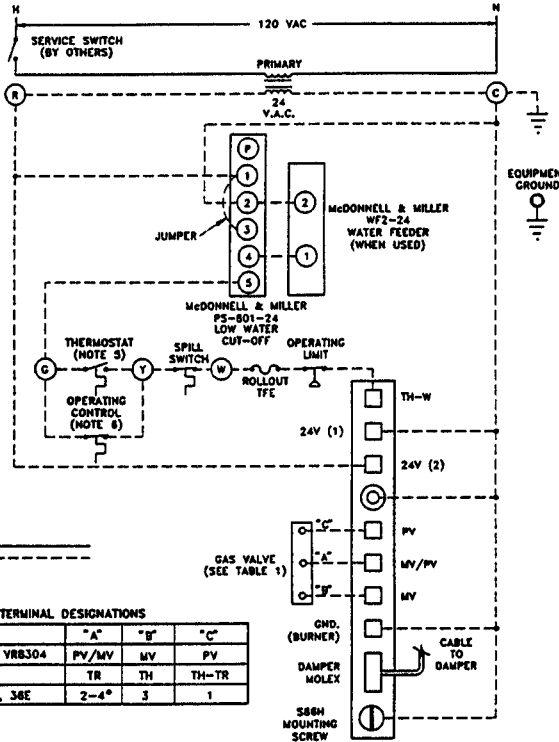


TABLE 1: GAS VALVE TERMINAL DESIGNATIONS

GAS VALVE MODEL	"A"	"B"	"C"
HONEYWELL VR8204, VR8304	PV/MV	MV	PV
HONEYWELL VR8440	TR	TH	TH-TR
WHITE-RODGERS 36C, 36E	2-4*	3	1

\*FACTORY JUMPERED

Wiring Diagram for EG  
 • Intermittent Ignition System, Honeywell SB8H  
 • Steam, With or Without Tankless  
 • McDonnell & Miller PS-801-24 L.W.C.O.

**WEIL-McLAIN**  
 A Division of The Marley Company  
 Michigan City, Indiana 46360  
 PART NUMBER 550-224-081/1290WM