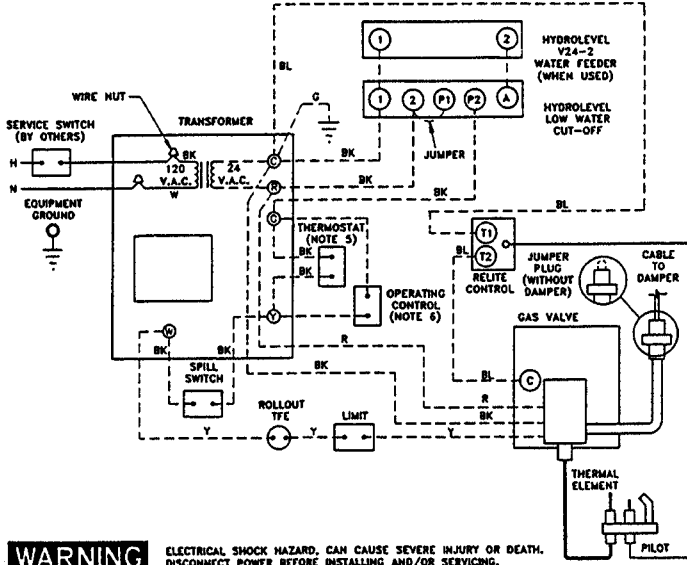


## SCHEMATIC WIRING DIAGRAM



### WARNING

ELECTRICAL SHOCK HAZARD. CAN CAUSE SEVERE INJURY OR DEATH. DISCONNECT POWER BEFORE INSTALLING AND/OR SERVICING.

#### NOTES:

- ALL WIRING MUST BE INSTALLED IN ACCORDANCE WITH:
  - U.S.A. - NATIONAL ELECTRICAL CODE AND ANY OTHER NATIONAL, STATE, OR LOCAL CODE REQUIREMENTS HAVING JURISDICTION.
  - CANADA - C.S.A. C22.1 CANADIAN ELECTRICAL CODE PART 1 AND ANY OTHER NATIONAL, PROVINCIAL, OR LOCAL CODE REQUIREMENTS HAVING JURISDICTION.
- ALL SAFETY CIRCUIT WIRING MUST BE:
  - U.S.A. - N.E.C. CLASS 1.
  - CANADA - C.S.A. C22.1 C.E.C. PART 1.
- IF ORIGINAL ROLLOUT TFE WIRE AS SUPPLIED WITH THE APPLIANCE MUST BE REPLACED. TYPE 200°C WIRE OR ITS EQUIVALENT MUST BE USED. IF OTHER ORIGINAL WIRE AS SUPPLIED WITH THE APPLIANCE MUST BE REPLACED, TYPE 90°C OR ITS EQUIVALENT MUST BE USED.
- REFER TO CONTROL COMPONENT INSTRUCTIONS PACKED WITH BOILER FOR APPLICATION INFORMATION.
- SET THERMOSTAT ANTICIPATOR SETTING TO MATCH AMPERE DRAW OF GAS VALVE.
- OPERATING CONTROL REQUIRED WITH TANKLESS HEATER.

HIGH VOLTAGE

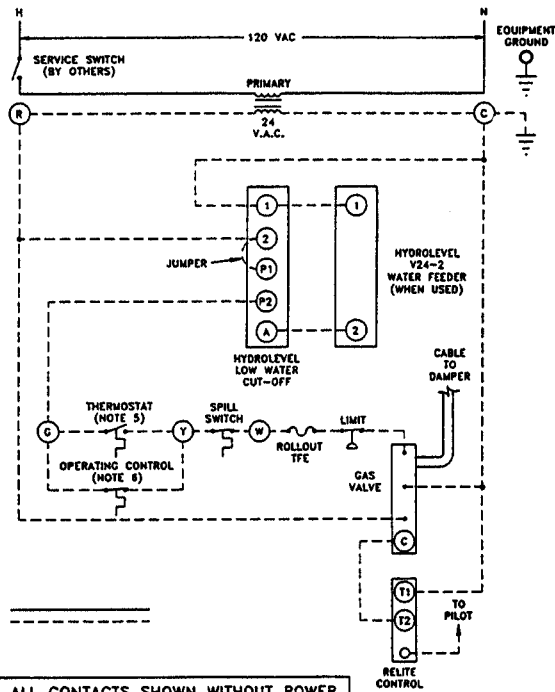
LOW VOLTAGE

NOTICE - ALL CONTACTS SHOWN WITHOUT POWER APPLIED - OFF SHELF CONDITION.

#### Wiring Diagram for EG

- Intermittent Ignition System, White-Rodgers Cycle Pilot
- Steam, With or Without Tankless
- Hydrolevel Low Water Cut-Off

## LADDER WIRING DIAGRAM

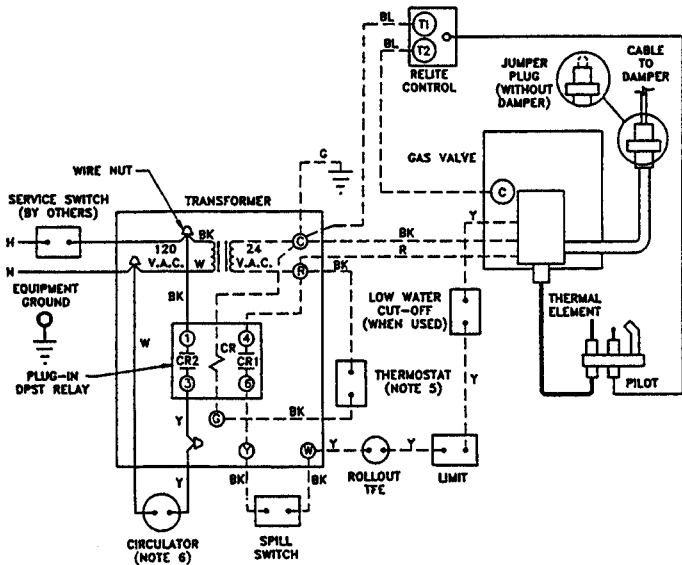


## WEIL-McLAIN

A Division of The Marley Company  
Michigan City, Indiana 46360

PART NUMBER 550-224-075/1290W

## SCHEMATIC WIRING DIAGRAM



### WARNING

ELECTRICAL SHOCK HAZARD. CAN CAUSE SEVERE INJURY OR DEATH. DISCONNECT POWER BEFORE INSTALLING AND/OR SERVICING.

#### NOTES:

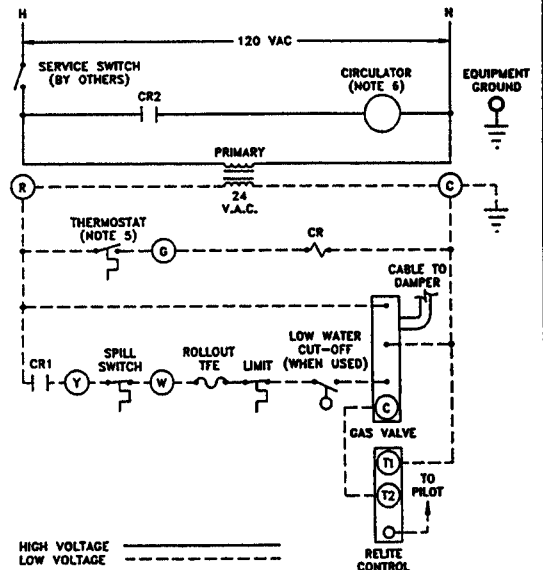
- ALL WIRING MUST BE INSTALLED IN ACCORDANCE WITH:
  - U.S.A. - NATIONAL ELECTRICAL CODE AND ANY OTHER NATIONAL, STATE, OR LOCAL CODE REQUIREMENTS HAVING JURISDICTION.
  - CANADA - C.S.A. C22.1 CANADIAN ELECTRICAL CODE PART 1 AND ANY OTHER NATIONAL, PROVINCIAL, OR LOCAL CODE REQUIREMENTS HAVING JURISDICTION.
- ALL SAFETY CIRCUIT WIRING MUST BE:
  - U.S.A. - N.E.C. CLASS 1.
  - CANADA - C.S.A. C22.1 C.E.C. PART 1.

NOTICE - ALL CONTACTS SHOWN WITHOUT POWER APPLIED - OFF SHELF CONDITION.

#### Wiring Diagram for CGM, EG

- Intermittent Ignition System, White-Rodgers Cycle Pilot
- Forced Hot Water or Gravity Hot Water Without Tankless Heater

## LADDER WIRING DIAGRAM



HIGH VOLTAGE

LOW VOLTAGE

- IF ORIGINAL ROLLOUT TFE WIRE AS SUPPLIED WITH THE APPLIANCE MUST BE REPLACED. TYPE 200°C WIRE OR ITS EQUIVALENT MUST BE USED. IF OTHER ORIGINAL WIRE AS SUPPLIED WITH THE APPLIANCE MUST BE REPLACED, TYPE 90°C OR ITS EQUIVALENT MUST BE USED.
- REFER TO CONTROL COMPONENT INSTRUCTIONS PACKED WITH BOILER FOR APPLICATION INFORMATION.
- FOR SINGLE ZONE SYSTEMS, THERMOSTAT ANTICIPATOR SETTING IS 0.40 AMPS. FOR MULTIPLE ZONE SYSTEMS USING ZONE VALVES OR CIRCULATORS, REFER TO COMPONENT MANUFACTURER'S INSTRUCTIONS FOR APPLICATION, WIRING AND THERMOSTAT ANTICIPATOR SETTING.
- CIRCULATOR NOT USED WITH EG GRAVITY HOT WATER SYSTEMS.

## WEIL-McLAIN

A Division of The Marley Company  
Michigan City, Indiana 46360

PART NUMBER 550-224-072/1290W