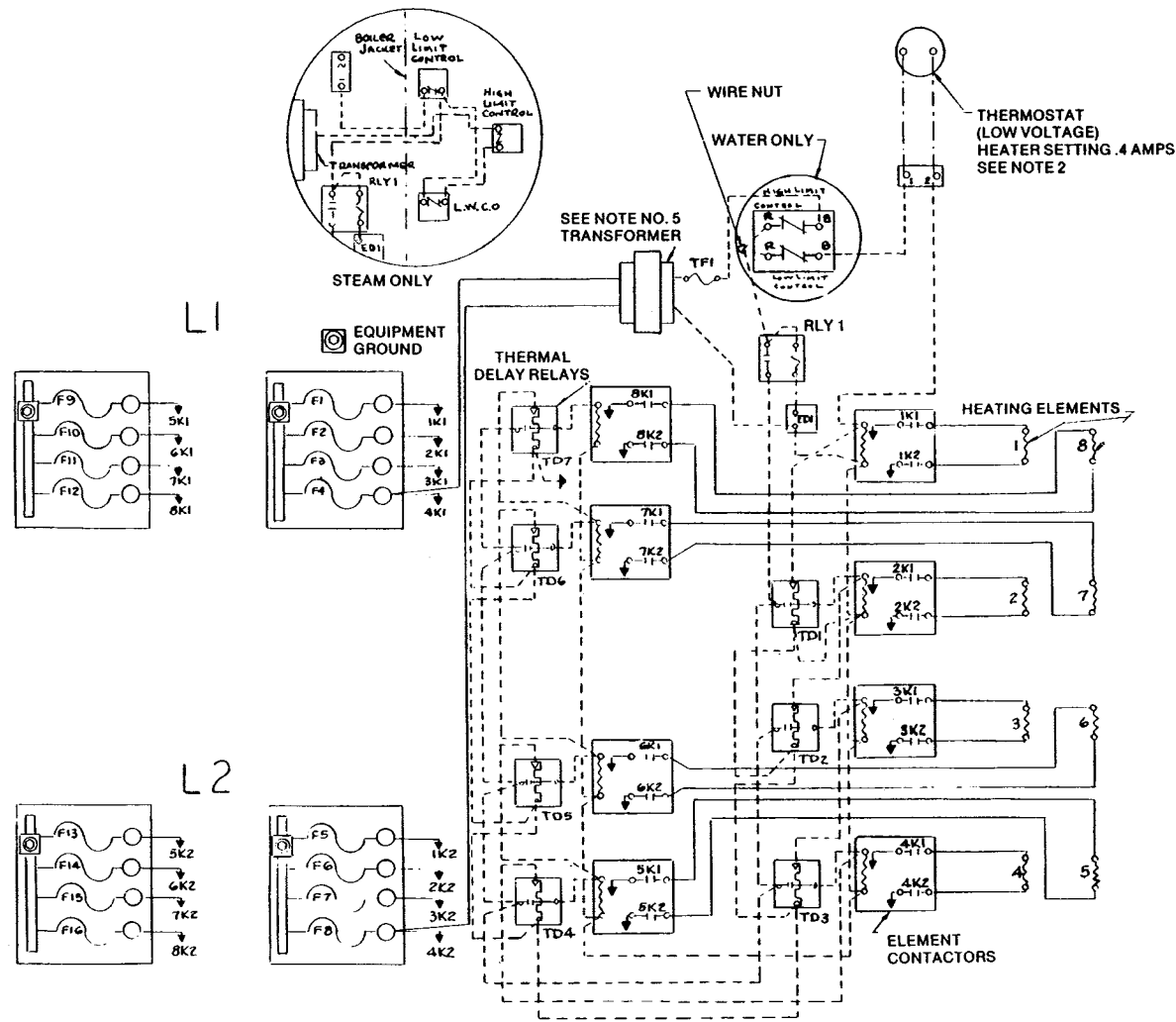


SCHEMATIC WIRING DIAGRAM



CAUTION

Disconnect power source before installing and/or servicing unit.

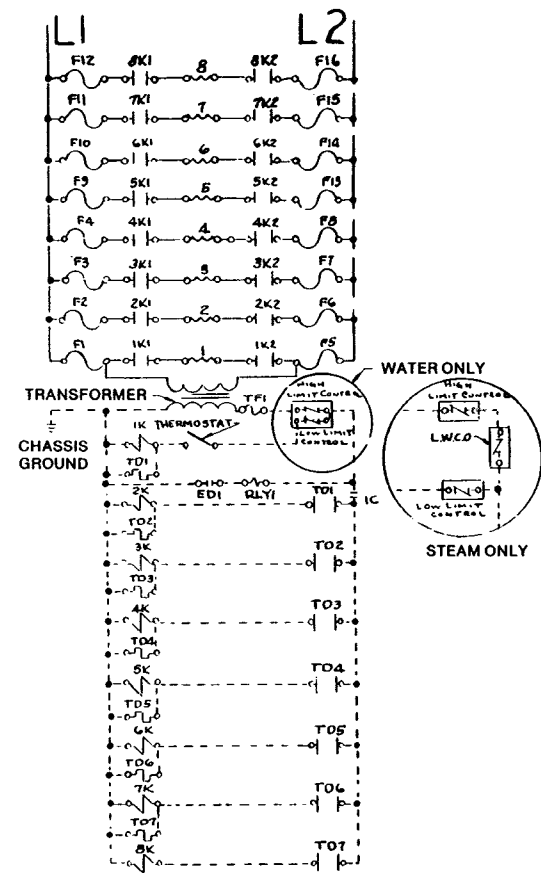
WARNING

NOTES:

1. All wiring must be installed in accordance with the requirements of the National Electrical Code and any additional national, state, or local code requirements having jurisdiction.
2. All safety circuit and thermostat wiring must be N.E.C. Class 1.
3. Use only copper conductors for power input wiring. Do not use aluminum conductors.
4. For 208 volt power supply, wire control circuit transformer in accordance with wiring label on transformer.
5. Location of transformer leads at fuse block will vary with boiler size.
6. For steam boilers, 1K and 8K contactors, elements 1 and 8, and TD-1 and TD-7 time delay relays are not used.

CE, Series 2 Electric-Hydrionic Boiler Schematic and Ladder Wiring Diagrams. Single-phase power supply. Applicable to CE-48-W through CE-64-W water boilers and CE-16-S through CE-48-S steam boilers.

LADDER WIRING DIAGRAM



WIRING LEGEND: _____ HIGH VOLTAGE FACTORY WIRING
 - - - - - LOW VOLTAGE FACTORY WIRING
 - - - - - LOW VOLTAGE FIELD WIRING

WEIL-McLAIN
 Michigan City, Indiana 46360
 A Marley Company