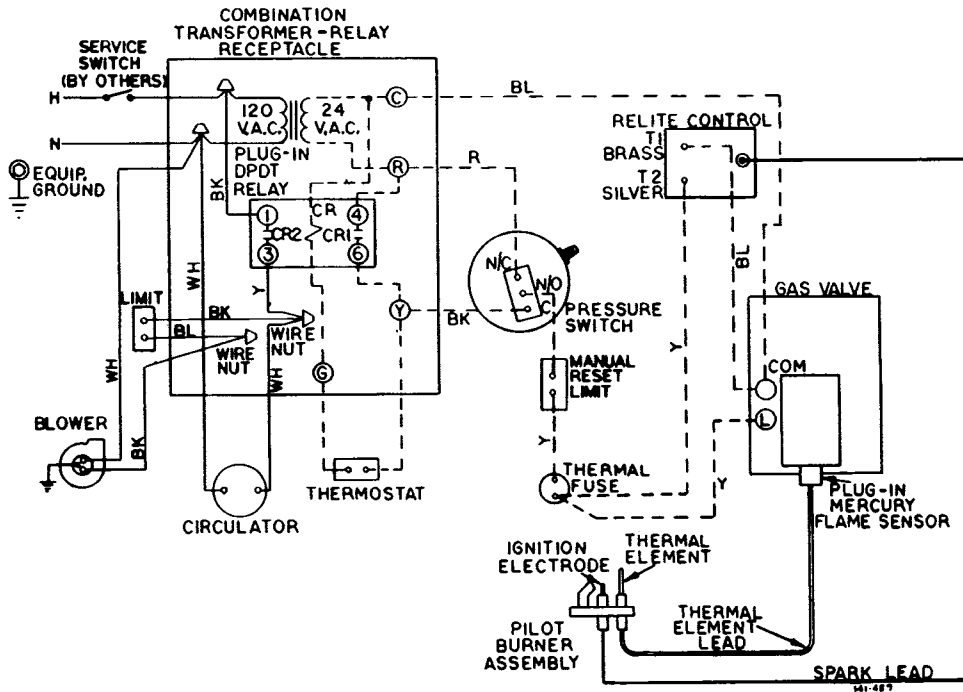
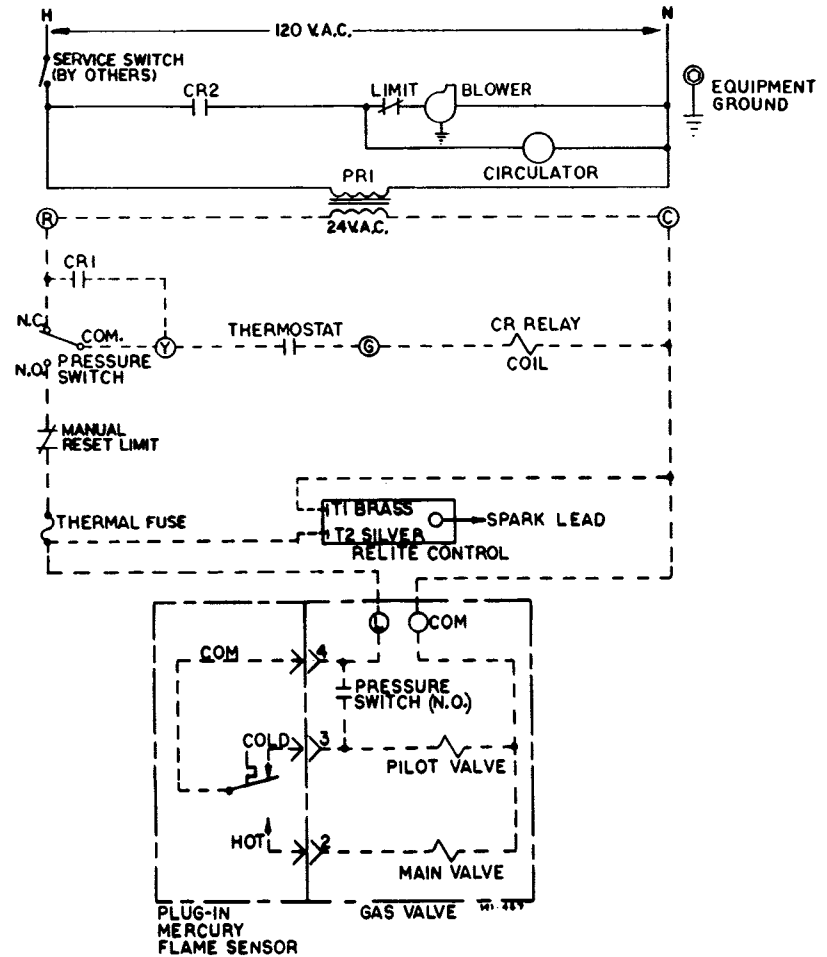


# SCHEMATIC WIRING DIAGRAM



# LADDER WIRING DIAGRAM



## WARNING

Disconnect power source before installing and/or servicing unit.

## CAUTION

### NOTES:

1. All wiring must be installed in accordance with the requirements of the National Electrical Code and any additional national, state, or local code requirements having jurisdiction.
2. All safety circuit wiring must be N.E.C. Class 1.
3. Refer to control components instructions sheets packed with boiler for application information.
4. Use only 90°C. Thermoplastic Wire or equivalent if any of the original wire must be replaced.

THERMOSTAT HEAT ANTICIPATOR SETTING  
0.40 AMPS.

AHE Series 2 Boiler Schematic and Ladder Wiring Diagrams. White-Rodgers Cycle-Pilot® controls. Applicable for natural gas, forced hot water boilers.

High Voltage Factory Wiring  
Low Voltage Factory Wiring  
High Voltage Field Wiring  
Low Voltage Field Wiring

**WEIL-McLAIN**  
Michigan City, Indiana 46360  
A Marley Company