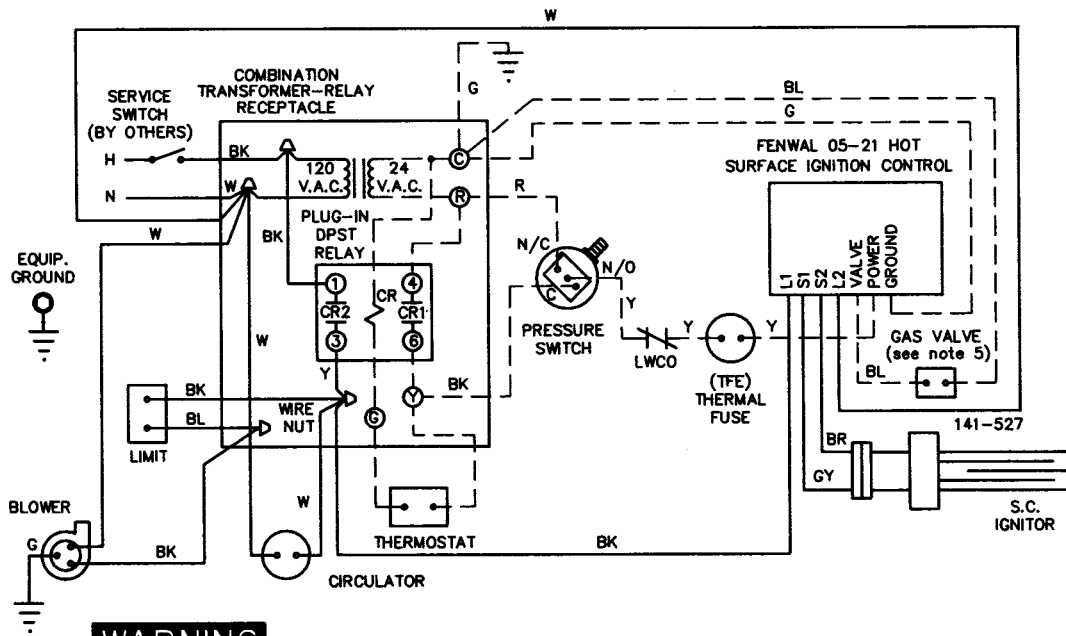
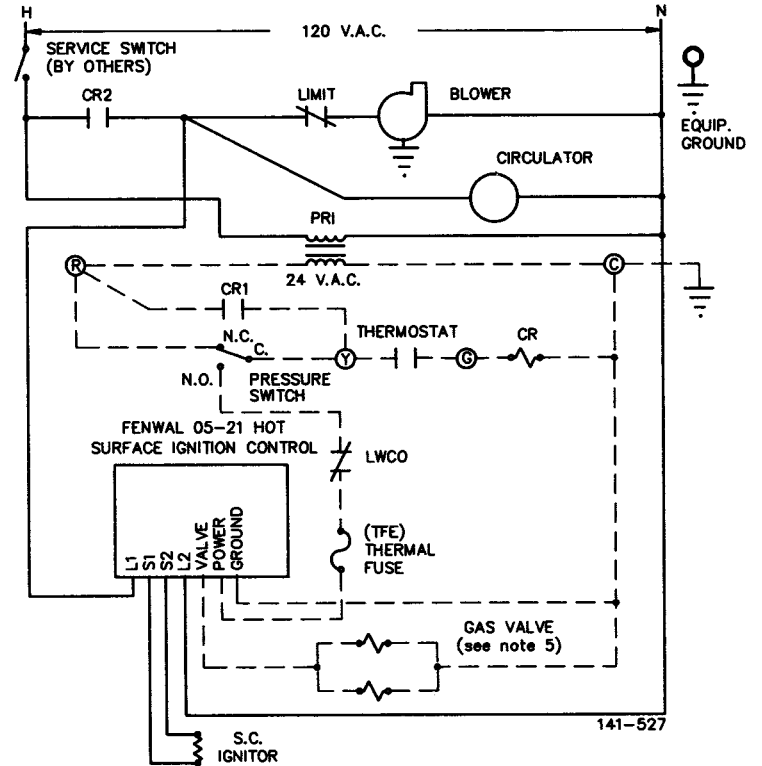


SCHEMATIC WIRING DIAGRAM



LADDER WIRING DIAGRAM



WARNING

ELECTRICAL SHOCK HAZARD. CAN CAUSE SEVERE INJURY OR DEATH. DISCONNECT POWER BEFORE INSTALLING AND/OR SERVICING.

NOTE:

1. ALL WIRING MUST BE INSTALLED IN ACCORDANCE WITH THE REQUIREMENTS OF THE NATIONAL ELECTRICAL CODE AND ANY ADDITIONAL STATE OR LOCAL CODE REQUIREMENTS HAVING JURISDICTION
2. REFER TO CONTROL COMPONENT INSTRUCTION SHEETS PACKED WITH BOILER FOR APPLICATION INFORMATION
3. IF ANY OF THE ORIGINAL WIRE AS SUPPLIED WITH THE APPLIANCE MUST BE REPLACED, IT MUST BE REPLACED WITH TYPE 90°C WIRE OR ITS EQUIVALENT.
4. ALL SAFETY CIRCUIT WIRING MUST BE N.E.C. CLASS 1.
5. GAS VALVE TERMINALS:
WHITE-RODGERS - 1 AND 2
HONEYWELL AND ESSEX - TR AND TH.

HIGH VOLTAGE —————
LOW VOLTAGE - - - - -

THERMOSTAT HEAT ANTICIPATOR SETTING	
SYSTEM	AHE
WATER	0.40 AMPS

AHE SERIES 3 SCHEMATIC AND LADDER WIRING DIAGRAMS. FENWAL HOT SURFACE IGNITION SYSTEM. APPLICABLE FOR NATURAL OR PROPANE GAS-FIRED, FORCED HOT WATER BOILERS.

Wm WEIL-McLAIN
A United Dominion Company
Weil-McLain • 500 Blaine St. • Michigan City, IN 46360-2388