

SUBMITTAL SHEET

JOB NAME _____

LOCATION _____

ARCH./ENGR. _____

WHOLESALER _____

MECH. CONTRACTOR _____

MODEL NO. _____ GAS TYPE _____

BTU/HR INPUT _____ BTU/HR OUTPUT _____

NOTES _____

Standard Equipment

Complete Bid Spec:

- Up to 97.1% Thermal Efficiency ASME Certification*
- Industry-leading efficiency*
- Vertical firetube design
- 100% stainless steel heat exchanger and shell
- 5:1 turn down ratio*
- Natural gas/propane
- 160 psi working pressure
- Installation and service ease
- Low NOx emissions
- Full line of venting options
- Unity™ user-friendly and system compatible controls
- “Door-Fit” design
- Corrosion protection/resistance solution
- Weil-McLain reliability

Improved Efficiency

Featuring a proprietary clover-shaped, firetube geometry the 100% stainless steel heat exchanger provides a greater surface area for heat transfer to ensure maximum thermal efficiency.

Effortless Control

- Unity™ control combines advanced technology with intuitive, user-friendly design
- Built-in set-up wizard makes every install simple, straightforward and customizable
- Up to 8 boiler sequencing to meet a wide range of system demands
- Common control logic communicates with Weil-McLain Evergreen, SlimFit and SVF boilers (70-3000 MBH)

Long life and reliability

Durability is built into every Weil-McLain boiler. Highest-quality stainless steel selection insures long-lasting, reliable heat exchanger performance.

- 316L stainless steel heat exchanger and shell
- Vertical firetube design
- Serviceable, integrated condensate tray
- Industrial-grade, steel frame and jacket panels

Installation ease

Contractor-friendly design streamlines set-up and installation, saving time, labor and money.

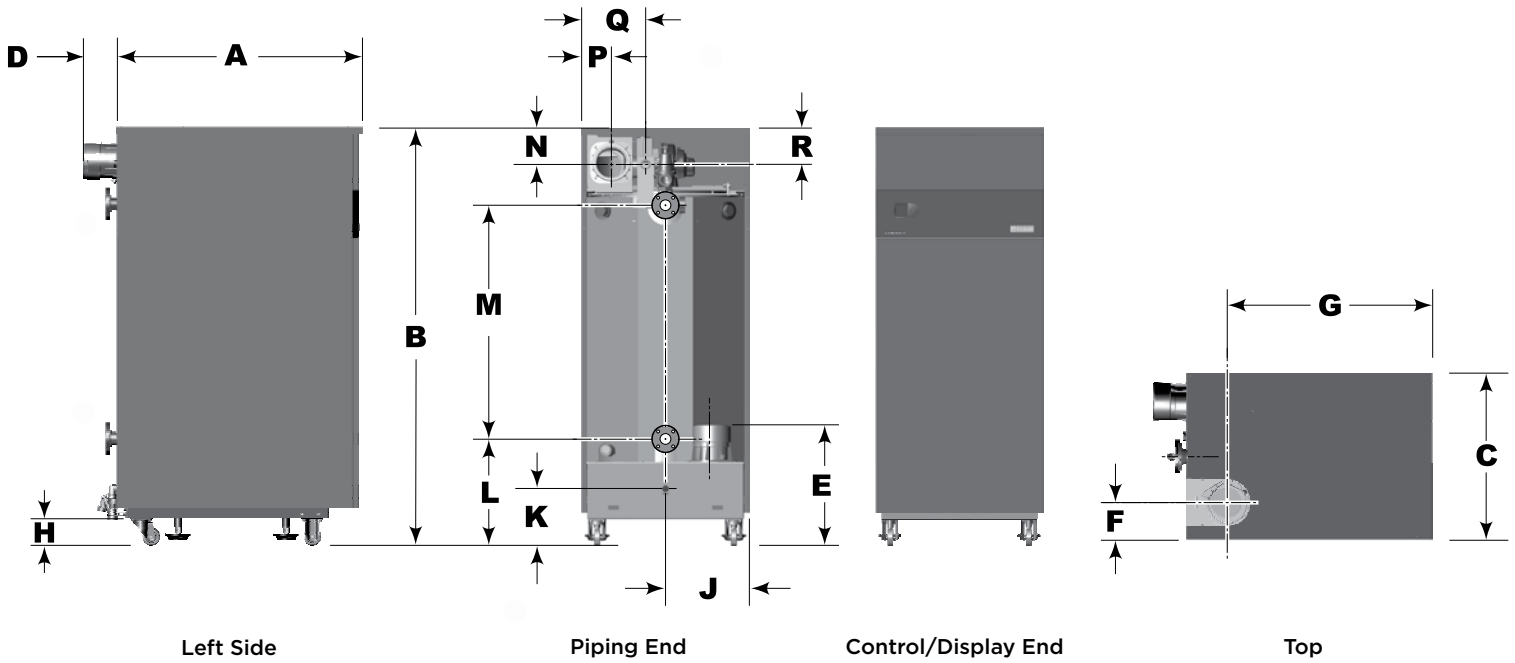
- Fast removal shipping crate with integral ramp design
- Heavy-duty roller casters—no forklift requirements
- Unit fits through any standard-size door
- Industrial grade leveling legs
- Low-profile, burner design minimizes required overhead work space to only 18 inches

No-hassle maintenance

- Easy maintenance is another hallmark of the SVF series. Service calls are stress-free for any trained Weil-McLain technician.
- Hinged cover plate allows for quick access to burner and firetubes
- Simple, vertical wash down of heat exchanger
- Single-point service location
- No side access required for service
- Fast jacket panel removal of top and front panels



Dimensions and Product Specifications



Model No.	A	B	C	D	E	F	G	H	J	K	L	M	N	P	Q	R
SVF 750	46 5/16"	79 3/8"	31 5/8"	6 5/16"	22 15/16"	6 7/8"	38 11/16"	5 1/4"	15 3/4"	11"	20 3/8"	44 3/8"	6 7/16"	5 1/4"	12"	6 15/16"
SVF 1000/1100	50 7/8"	79 3/8"	35 9/16"	5 1/16"	22 15/16"	7 3/16"	42 13/16"	5 1/4"	17 3/4"	11"	20 3/8"	43 3/4"	6 7/16"	5 5/16"	13 9/16"	5 7/16"

(height dimensions based on 5 1/4" spacing from floor to bottom)

Model No.	Thermal Efficiency	Max Pressure (psi)	Max Input (MBH)	Gross Output (MBH)	Net AHRI Rating (MBH)	Turn Down	Water Conn	Gas Conn	Air/Intake Vent Size (Diameter)	Length	Width	Height	Shipping Weight (lbs)
SVF 750	96.3%	160	785	756	657	5:1	2" Flange	1 1/4"	6"	46.5"	31.5"	79.1"	1,565
SVF 1000	96.8%	160	1,000	968	842	4.4:1	3" Flange	1 1/4"	6"	51.0"	35.4"	79.1"	1,875
SVF 1100	97.1%	160	1,134	1,101	957	5:1	3" Flange	1 1/4"	6"	51.0"	35.4"	79.1"	1,875

Industry Leading Efficiency

- Up to 97.1% Thermal Efficiency*
- ASME Certified Stainless Steel Firetube Heat Exchanger and Shell
- "Clover" tube design for maximum heat transfer
- 160 psi Working Pressure
- 30 psi Relief Valve
- Pickled and Passivated Welded Design

Modulating, Low Emissions Burner Design

- Natural Gas or Propane
- Down to <20 ppm NOx Emissions*
- 5:1 Turndown Ratio*
- Low Gas Pressure Operation
- Direct Spark Ignition
- Variable Speed Blower Assembly
- Venturi Mixing System
- Negative Pressure Regulated Gas Valve
- 50 VA Transformer
- Temperature & Pressure Gauge
- Outdoor Water Temp. Sensor
- Outlet & Inlet Water Temp. Sensor
- Flue Gas Temp. Sensor
- System Water Temp. Sensors
 - Immersion Style—Supply & Return

Venting Options

- Direct Exhaust—Sidewall & Vertical (CAT II)
- Direct Vent—Sidewall, Vertical, & Side Intake with Vertical Exhaust (CAT II)
- Direct Exhaust—Vertical (CAT IV)

*model dependent

Complete Jacket Assembly

- Fully Removable Jacket
- Rugged, Steel Frame & Panels
- Manual Reset Push Button through Display

Easy Install/Serviceability

- Easy Set-up with Control Wizard
- Industrial-Grade Roller Casters
- Shipping Crate Ramp
- Hinged Cover Plate
- "Door-Fit" Design
- Zero-Clearance to Combustibles
- Low-Profile, Stainless Steel Burner with Woven Steel Fiber Mesh
- Removable, Stainless Steel Condensate Tray
- Single-Point Installation
 - All Field Connections out Back of Boiler

Multiple Boiler Features

- Up to 8 Boilers, Multiple System functionality with Lead/Lag Capability
- Series, Parallel, or SmartSequencing™
- Lead Boiler Rotation
- Variable Primary Flow Design Capable
- (3) Boiler Priorities Capability
 - Either (2) network and (1) local or (1) network and (2) local
- (24) Zone Inputs and Outputs with (8) Total Cascaded
- Boiler via Zone Stacking™
- Aux Inputs—Flow End or Switch End
- System Aux Outputs—System Pump or Damper

Control Features

- 120 VAC/60 Hertz/1 Phase
- Operating Status Color LCD Display
- Preset Operating Parameters Including Typical Heating Systems
- Configurable Outdoor Reset
- Rate Setting for Each Input/Output
- 0-10V Input (Modulation or Set Point)
- Standard Modbus Connectivity
- Additional Heat Demand Functionality
- Contact with 0-10V Output
- Labeled Terminal Blocks for Field Terminations
- Ignition Control
- High Limit & Modulating Temp. Control
- Alarm Control Functionality
- Onboard Time & Date
- Low Water Cut-Off
- Manual Reset
- Warm Weather Shutdown
- Freeze Protection
- Boiler Service Interval & Contractor Info

CSD-1 Compliant

- Manual Reset LWCO
- Manual Reset High & Low Gas Pressure Switches
- UL 353 Certified High Limit Control with Manual Reset
- UL 353 Certified Operating Control

Non-Pro-Rated Warranty

- 10 Year Heat Exchanger Warranty
- 2 Year Parts Warranty

Optional Equipment

- Pressure Relief Valve—30/50/80/100/150 psi
- System Water Temp. Sensors
 - Strap-On—Supply & Return
- BacNet or LonWorks Converter Kit
- Annual Maintenance Kit
- Corrosion Inhibitor
- Condensate Neutralizer Kit
- Anti-Freeze

Boiler Certifications

- ASME IV, CSA, AHRI, Commercial Energy Star, SCAQMD

In the interest of continual improvements in product and performance, Weil-McLain reserves the right to change specifications without notice.

Weil-McLain offers BIM-Revit product content to help architects, engineers and contractors design projects accurately and efficiently.



www.weil-mclain.com