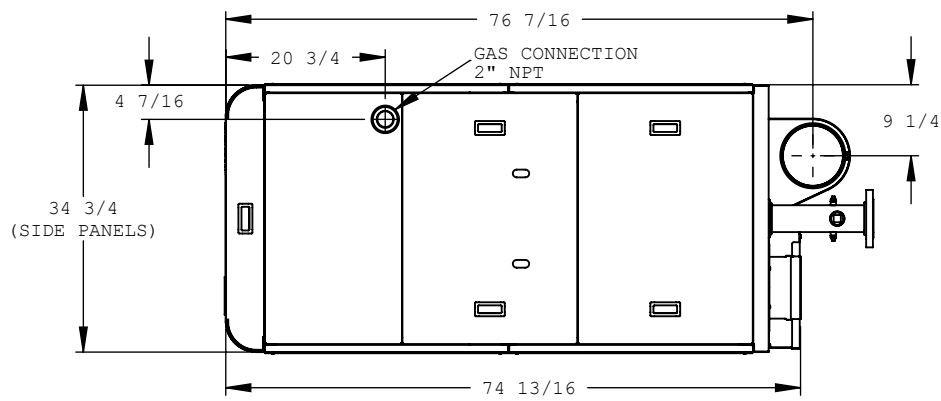


# SVF™ 1500

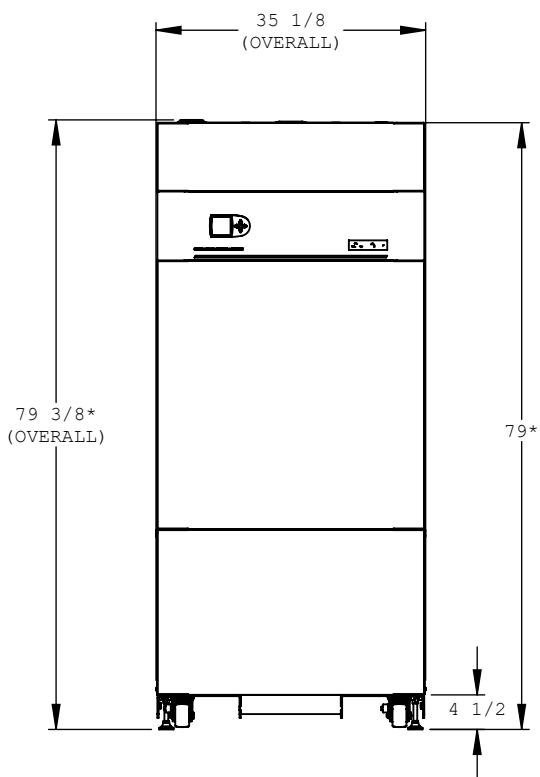
---

# SVF™ 2000

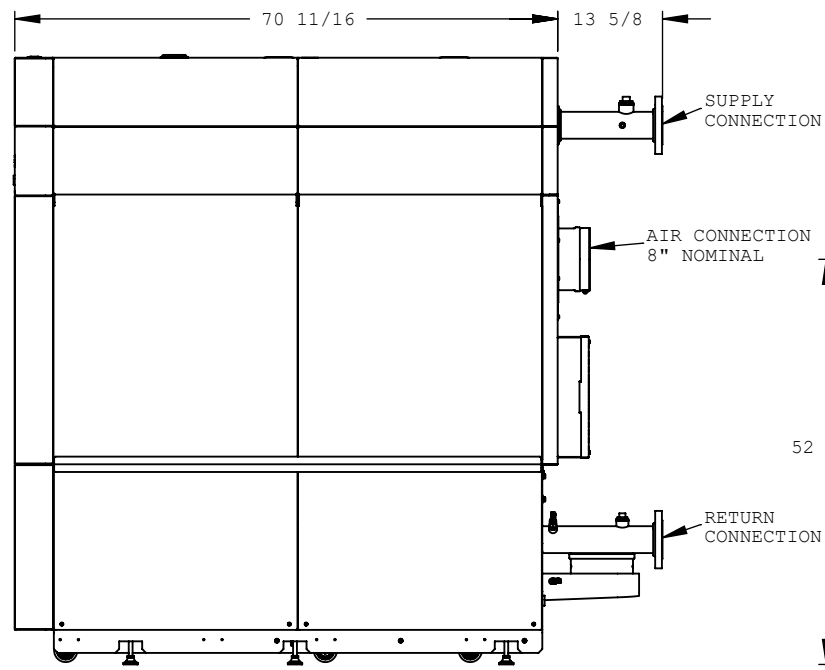
---



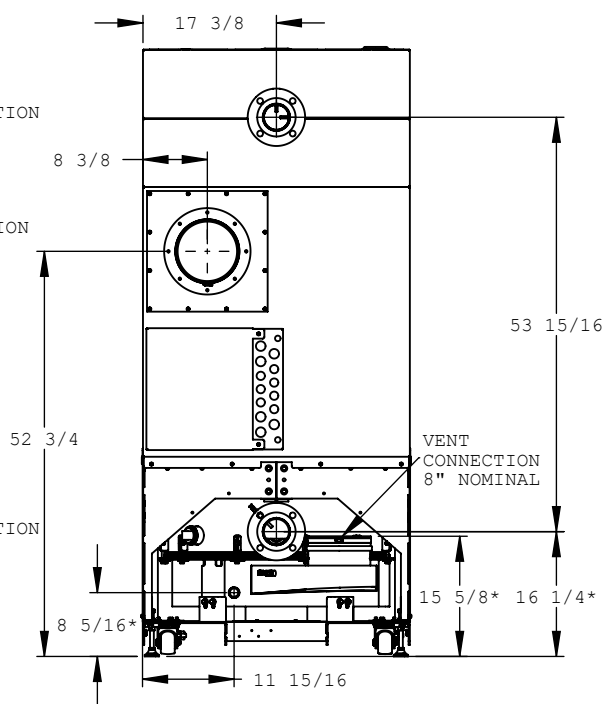
TOP



FRONT



RIGHT



BACK

\* BASED ON 4-1/2" MINIMUM DISTANCE OF LEG TO BOTTOM OF FRONT PANEL