

Best of Both Worlds



Cast iron durability meets condensing efficiency
for long-term energy savings



Why waste energy?

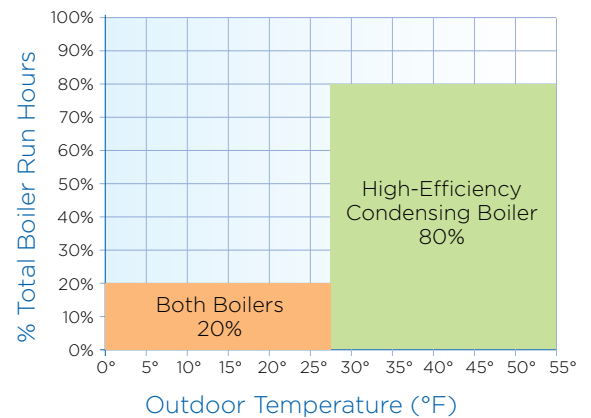
Optimize efficiency, longevity and ROI in existing buildings

In most regions, very few days out of the year require a commercial building's full boiler system capacity. That's often less than 3% of the year. And because traditional boiler plants typically supply higher water temperatures during the entire heating season, both efficiency and comfort suffer.



So how do you eliminate these load inefficiencies without replacing your existing heating system? Combine a durable, cast iron boiler with a high-efficiency condensing boiler from Weil-McLain. That way you can reduce wasted energy, lower utility costs and protect the environment while extending the life of an existing heating system.

Year-Round Heating Demand
(example: existing building Chicago, IL)



How our hybrid system works

High-Efficiency Condensing Boiler (Low-Load periods)

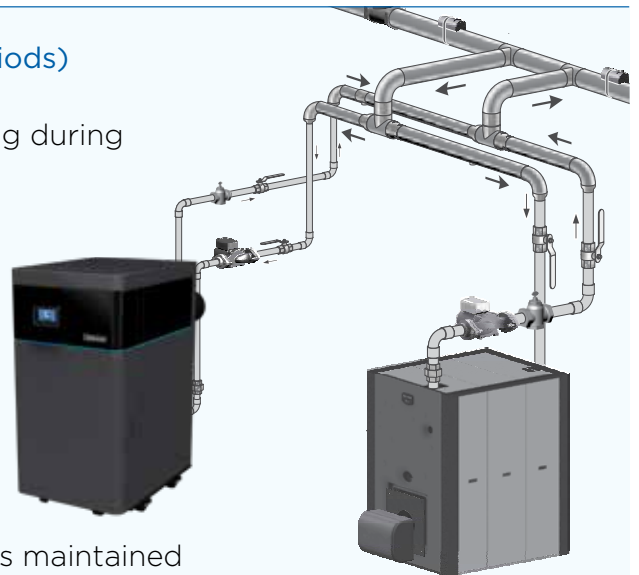
- First boiler to operate, last to turn off
- Best match for heating demand of the building during spring and fall seasons and mild winter days
- Provides high-efficiency heating and lower water temperatures
- Longevity of the high efficiency condensing boiler is extended by matching it to its optimal operating conditions

Cast Iron Boiler (High-Load periods)

- Added heating capacity on coldest winter days
- Operates at hotter water temperatures, ensuring the longevity of the cast iron boiler is maintained

Automatic Sequencing

- Controller automatically enables the cast iron boilers based on increased heating demand
- Correlates heating capacity to actual load of the building



Make a lasting investment

Weil-McLain hybrid systems pay off in the long run

Weil-McLain features an extensive line of standard efficiency and high-efficiency boilers, all top-rated for reliability, durability and energy-efficient performance. This allows building owners and contractors to mix and match to create the ideal hybrid configuration for their application. And our high-efficiency units, including the SlimFit® and Stainless Vertical Firetube (SVF™) boilers, feature advanced “smart” controls to simplify set-up, operation and maintenance.

Where hybrid systems fit best



Weil-McLain hybrid boiler systems are the best solution for existing commercial buildings such as medical facilities, apartment complexes, churches, schools, nursing homes and corporate campuses.



Consider a hybrid boiler system for:

- A building with a working standard efficiency boiler system looking to improve efficiency by adding a high-efficiency component
- A building with two standard efficiency boilers, where one is failing and can be replaced with a high-efficiency boiler, creating a hybrid boiler system
- A total replacement situation - installing a hybrid system is cheaper to purchase upfront and often achieves up to 80% of the energy savings of replacing an entire boiler plant with high-efficiency condensing boilers

The Weil-McLain advantage:

Versatility:

Broad array of condensing and cast iron boilers to fit any application

Lower upfront costs:

Existing heating systems (air handlers, heating coils, radiators, etc.) can remain in place with no modification

Longer-lasting boiler plant:

Hybrid system adds life to boiler systems by matching year-round heating capacity

Better ROI:

Enhances financial value and rate of return for many existing buildings

Energy efficiency rebates:

Available on select high-efficiency condensing boilers

State-of-the-art controls:

Deliver advanced automatic sequencing



Start with a discussion about your specific building

Weil-McLain representatives are boiler experts. Contact us to find out if a Weil-McLain hybrid boiler system is right for your existing commercial building.





Weil-McLain

After 40+ years of successful operation heating the Snohomish County District Court Building with Weil-McLain commercial cast iron boilers, the county began a planned replacement program doing one at a time to spread the capital cost outlay.

A hybrid boiler system was designed by the Hermanson Company (design/build contractor) with support from the Ferguson Seattle branch to include a SVF 3000 condensing firetube boiler paired with a Weil-McLain 1280 cast iron non-condensing boiler. A 100% redundant heating system, the high efficiency SVF 3000 operates throughout the moderate cold weather months with the 1280 non-condensing boiler carrying the heat load only on the coldest days of the year.



SOLUTIONS THAT MATTER™