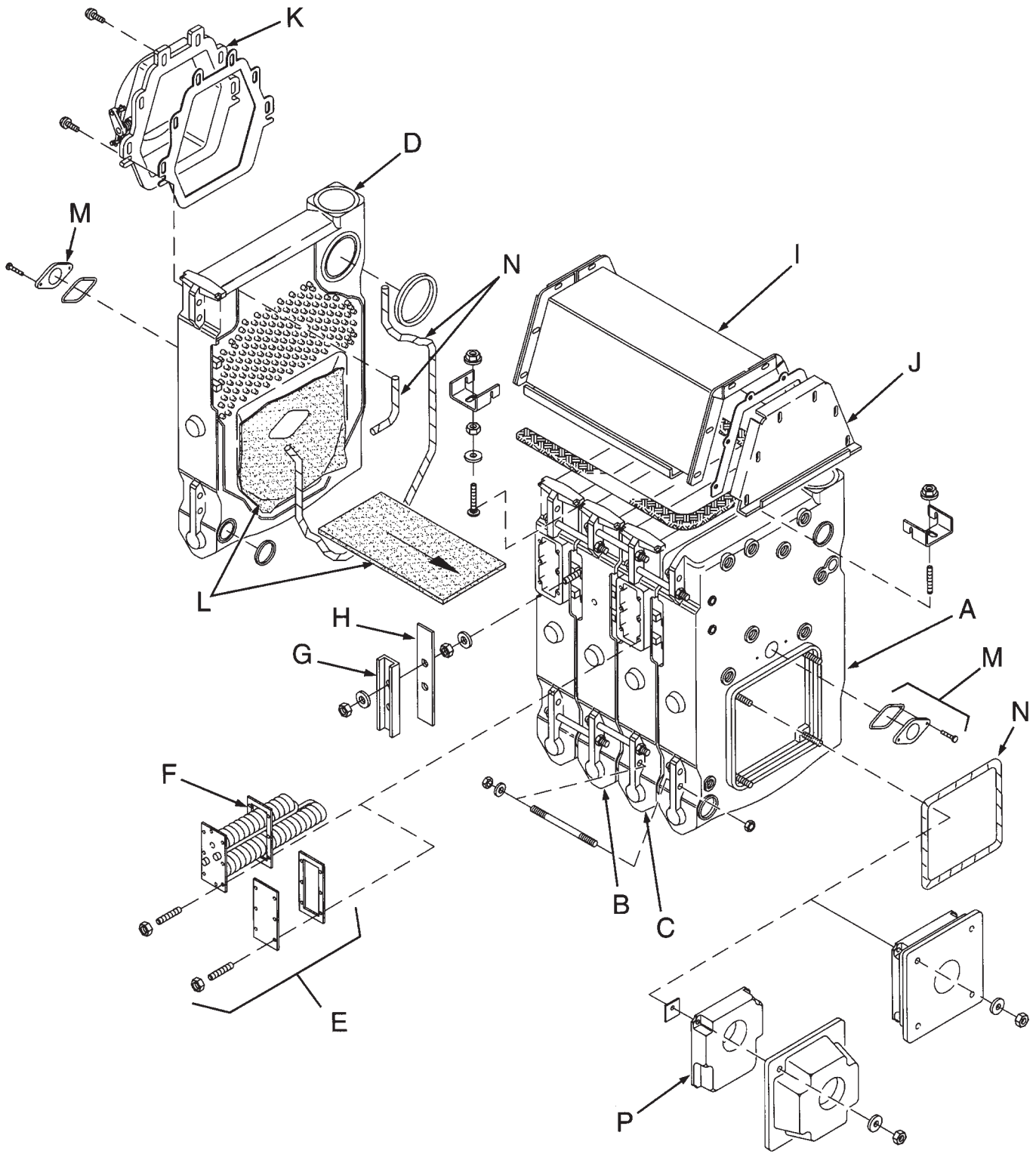


78 Section Assembly

GAS/OIL



78 Section Assembly

Fig. No.	Part No.	Description	Mfr.'s Part No.	Notes
A	315-700-059	FRONT SECTION – 80 P. S. I.	7813	■
B	315-700-120	INTERMEDIATE SECTION, REGULAR – 80 P.S. I.	7815	■
	315-700-150	INTERMEDIATE SECTION, SUPPLY – STEAM – 80 P.S. I.	7814	■
C	315-700-140	INTERMEDIATE SECTION, TANKLESS – 80 P. S. I.	7816	■
D	315-700-068	BACK SECTION – 80 P. S. I.	7818	■
	385-700-205	SECTION ASSEMBLY KIT-For one joint (includes: sealing rope sealing rope adhesive, sealing rings and silicone sealant)	-	
E	385-700-200	HEATER COVER PLATE CARTON (includes: cover plate, gasket, studs & nuts)	-	
F	590-317-550	HEATER GASKET	-	
	Available locally	CLEANOUT BOLTS AND NUTS, (2 per cleanout), 1/4" – 20 x 1.75, zinc plated, carriage bolts, 1/4" plain washer, 1/4" – 20 hex nut		
G	450-030-927	CLEANOUT PLATE	-	
H	591-221-272	CLEANOUT PLATE GASKET	-	
	560-340-577	HEATER STUDS & NUT 3/8x 1 1/8		
I	450-020-200	FLUE COLLECTOR HOOD "A"	-	
	450-020-205	FLUE COLLECTOR HOOD "B"	-	
	450-020-210	FLUE COLLECTOR HOOD "C"	-	
	450-020-215	FLUE COLLECTOR HOOD "D"	-	
	450-020-220	FLUE COLLECTOR HOOD "E"	-	
	385-700-215	FLUE COLLECTOR HOOD HARDWARE KIT (includes: Flat-stitched sealing rope, double-faced tape, flue collar gasket, collector hood gaskets, hold-down clips, stud & hardware)	-	
	385-700-218	COLLECTOR HOOD GASKET KIT (includes: Flat-stitched sealing rope, double-faced tape, flue collar gasket, collector hood gaskets)	-	
J	450-020-225	FLUE COLLECTOR HOOD END CAP	-	
K	385-700-065	FLUE COLLAR ASSEMBLY, 8"	-	
	385-700-070	FLUE COLLAR ASSEMBLY, 10"	-	
	385-700-075	FLUE COLLAR ASSEMBLY, 12"	-	
L	385-700-220	COMBUSTION CHAMBER KIT (includes: back refractory blanket, bottom refractory blanket, waterglass, sealing rope & sealing rope adhesive)	-	
	562-650-105	INSULATION RETAINER CLIP	-	
M	385-600-099	OBSERVATION PORT ASSEMBLY (includes: observation port, sealing rope & screws)	-	
N	590-735-140	1/2" GLASS ROPE (for section & burner mounting plate seal)	-	
P	591-000-070	BURNER MOUNTING PLATE FRONT REFRACTORY 4 1/2" BURNER OPENING	-	
	591-000-072	BURNER MOUNTING PLATE FRONT REFRACTORY 6 1/8" BURNER OPENING	-	
	560-134-490	DRAW ROD 5/8 X 10" (4 per joint)	-	
	562-248-710	WASHERS 5/8 (1 per rod)	-	
	561-928-224	5/8 - 11 NUT (2 per rod)	-	
NS	592-800-008	7 1/2 elastomer seal, top		
NS	592-800-009	3 1/2 elastomer seal, bottom		
NS	560-340-577	Tankless nut and stud		

■ Indicates current TPS R/C product

78 Water Trim

GAS/OIL



78 Water Trim

Fig. No.	Part No.	Description	Mfr.	Mfr.'s Part No.	Notes	Quantity Per Boiler											
						3	4	5	6	7	8	9	10	11	12		
1	511-546-924	ASME PRESSURE RELIEF VALVE, Set to relieve at 30 P.S.I.G., 3/4" N.P.T. Female inlet, brass, 3/4" female side outlet, rated at 375,000 BTU/HR	WATTS	M330		1	1										
		ASME PRESSURE RELIEF VALVE, Set to relieve at 30 P.S.I.G., 3/4" N.P.T. Female inlet, brass, 3/4" female side outlet, rated at 535,000 BTU/HR	CONBRACO	10-408-05													
1	511-546-925	ASME PRESSURE RELIEF VALVE, Set to relieve at 30 P.S.I.G., 3/4" N.P.T. Female inlet, brass, 1" female side outlet, rated at 925,000 BTU/HR	WATTS	740				1	1	1	1						
1	511-546-930	ASME PRESSURE RELIEF VALVE, Set to relieve at 30 P.S.I.G., 1" N.P.T. Female inlet, brass, 1 1/4" female side outlet, rated at 1,300,000 BTU/HR	WATTS	740									1	1	1		
1	511-546-935	ASME PRESSURE RELIEF VALVE, Set to relieve at 30 P.S.I.G., 1 1/4" N.P.T. Female inlet, brass, 1 1/2" female side outlet, rated at 2,105,000 BTU/HR	WATTS	740													1
2	510-218-099	COMBINATION PRESSURE TEMPERATURE GAUGE, 2 1/2" dia. Dial, 0-170 P.S.I.G., 70-320 deg. F., short shank, back connection, 1/4" N.P.T.	AMETEK	199994		1	1	1	1	1	1	1	1	1	1	1	1
2	510-218-099	COMBINATION PRESSURE TEMPERATURE GAUGE, 2 1/2" dia. Dial, 0-170 P.S.I.G., 70-320 deg. F., short shank, back connection, 1/4" N.P.T.	ENFM-USA	1/4 CBM		1	1	1	1	1	1	1	1	1	1	1	1
3	510-312-065	COMBINATION HIGH LIMIT/LOW LIMIT CONTROL HIGH LIMIT: 140-240 deg. F. LOW LIMIT: 140-240 deg. F. with 5-35 deg. F. Adjustable differential: low limit must be set 20 deg. F. below high limit	WHITE-RODGERS	11C30-3		1	1	1	1	1	1	1	1	1	1	1	1
3	510-312-065	COMBINATION HIGH LIMIT/LOW LIMIT CONTROL HIGH LIMIT: 130-240 deg. F. LOW LIMIT: 110-220 deg. F. with 10-25 deg. F. Adjustable differential: low limit must be	HONEYWELL	L4081 A1189		1	1	1	1	1	1	1	1	1	1	1	1
NS	590-921-917	Tankless Heater - water or steam, includes heater, gasket, nuts and studs.		78-34													

GAS/OIL

78 Steam Trim

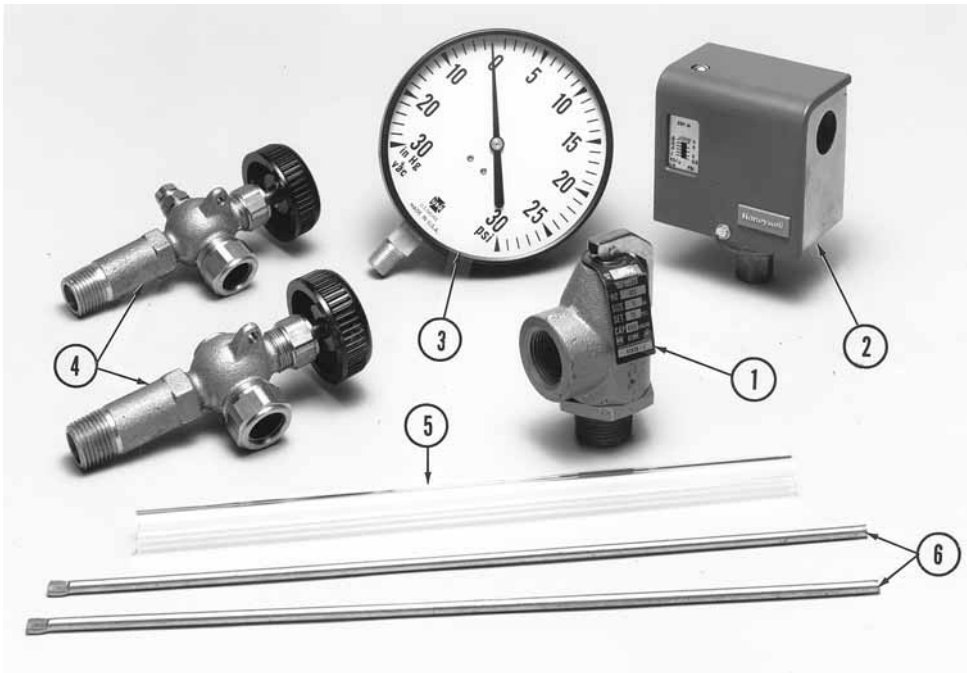


Fig. No.	Part No.	Description	Mfr.	Mfr.'s Part No.	Notes	Quantity Per Boiler											
						3	4	5	6	7	8	9	10	11	12		
1	511-548-020	STEAM RELIEF VALVE, Set to relieve at 15 P.S.I.G., 3/4" N.P.T., Inlet, 3/4" side outlet, 446 lbs. Lbs./hr. Steam capacity	WATTS	415		1	1										
		STEAM RELIEF VALVE, Set to relieve at 15 P.S.I.G., 3/4" N.P.T., Inlet, 3/4" side outlet, 446 lbs. Lbs./hr. Steam capacity	CONBRACO	13-211-08		1	1										
1	511-548-046	STEAM RELIEF VALVE, Set to relieve at 15 P.S.I.G., 1" N.P.T., Inlet, 1" side outlet, 643 lbs. Lbs./hr. Steam capacity	CONBRACO	13-202-08				1	1								
	511-548-051	STEAM RELIEF VALVE, Set to relieve at 15 P.S.I.G., 1 1/4" N.P.T., Inlet, side outlet, 1200 lbs. Lbs./hr. Steam capacity, brass	CONBRACO	13-213-08						1	1	1	1				
	511-548-052	STEAM RELIEF VALVE, Set to relieve at 15 P.S.I.G., 1 1/2" N.P.T., Inlet, side outlet, 1900 lbs. Lbs./hr. Steam capacity, brass	CONBRACO	13-214-08											1	1	
2	510-312-135	STEAM PRESSURETROL	HONEYWELL	PA404A1009		2	2	2	2	2	2	2	2	2	2	2	2
3	510-218-100	COMBINATION PRESSURE-VACUUM GAUGE, 0-30 P.S.I.G. , 0-30" Hg., 4 1/2" dial, bottom connection, 1/4" N.P.T.	U.S. GAUGE	C500-5549		1	1	1	1	1	1	1	1	1	1	1	1
4	510-218-145	WATER GAUGE GLASS COCK SET, 1/2" N.P.T., Male inlet	CONBRACO	21-205-03W		1	1	1	1	1	1	1	1	1	1	1	1
5	383-600-002	Water Gauge Glass Kit, 5/8" x 10 5/8" with gaskets and brass washers.	Weil-McLain	-		1	1	1	1	1	1	1	1	1	1	1	1
6	563-334-595	GAUGE GLASS GUARDS, 12 1/2" Long X 3/16" diameter	Weil-McLain	-		1	1	1	1	1	1	1	1	1	1	1	1
NS	590-921-917	Tankless Heater - water or steam, includes heater, gasket, nuts and studs.		78-34													