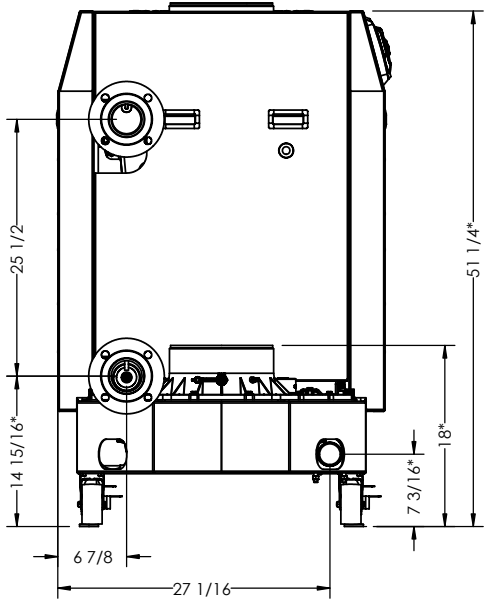
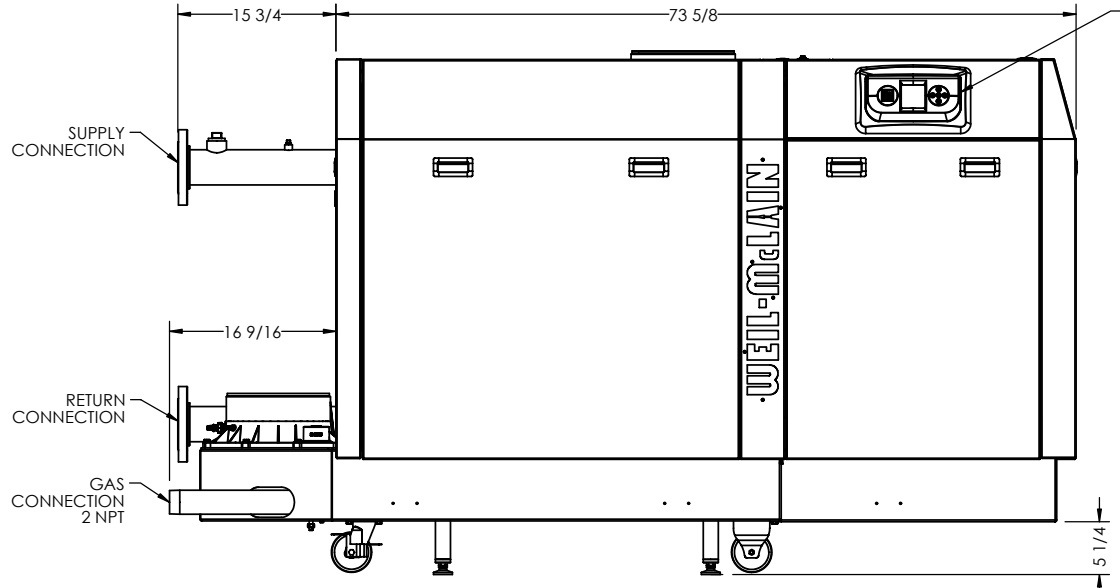


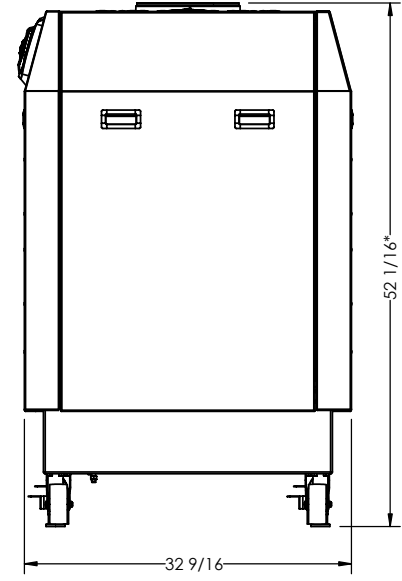
TOP



LEFT



FRONT



RIGHT

* BASED ON 5-1/4 MINIMUM DISTANCE OF LEG TO BOTTOM OF BASE

SLIMFIT SF2000 LH BOILER