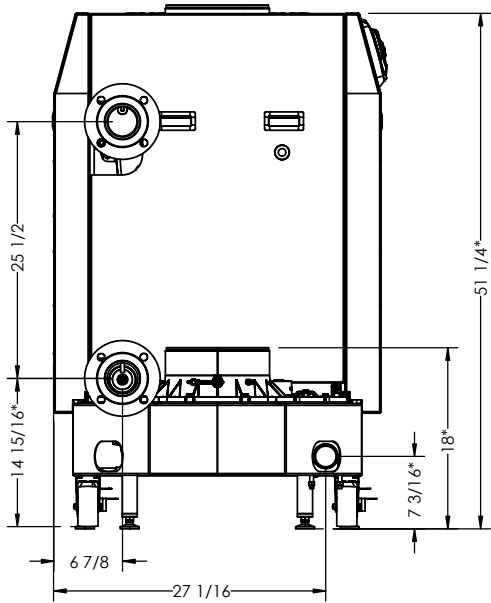
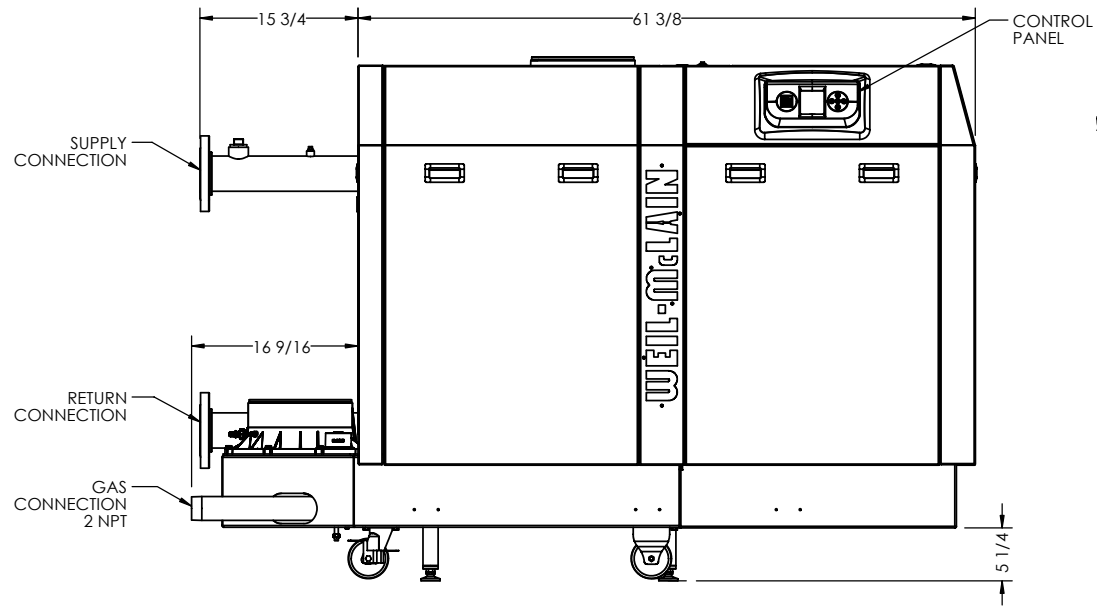


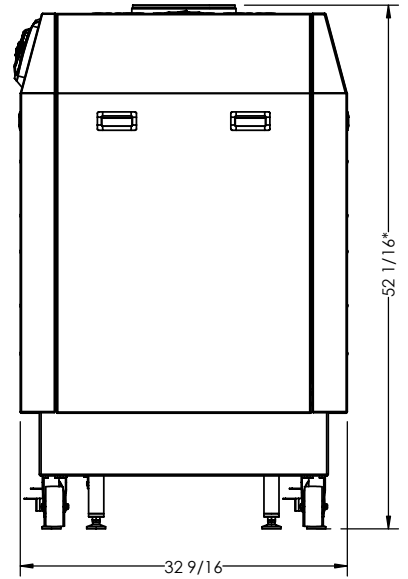
TOP



LEFT



FRONT



RIGHT

\* BASED ON 5-1/4 MINIMUM DISTANCE OF LEG TO BOTTOM OF BASE

SLIMFIT SF1000 LH BOILER