

AHE Series 2 & 3 Section Assembly

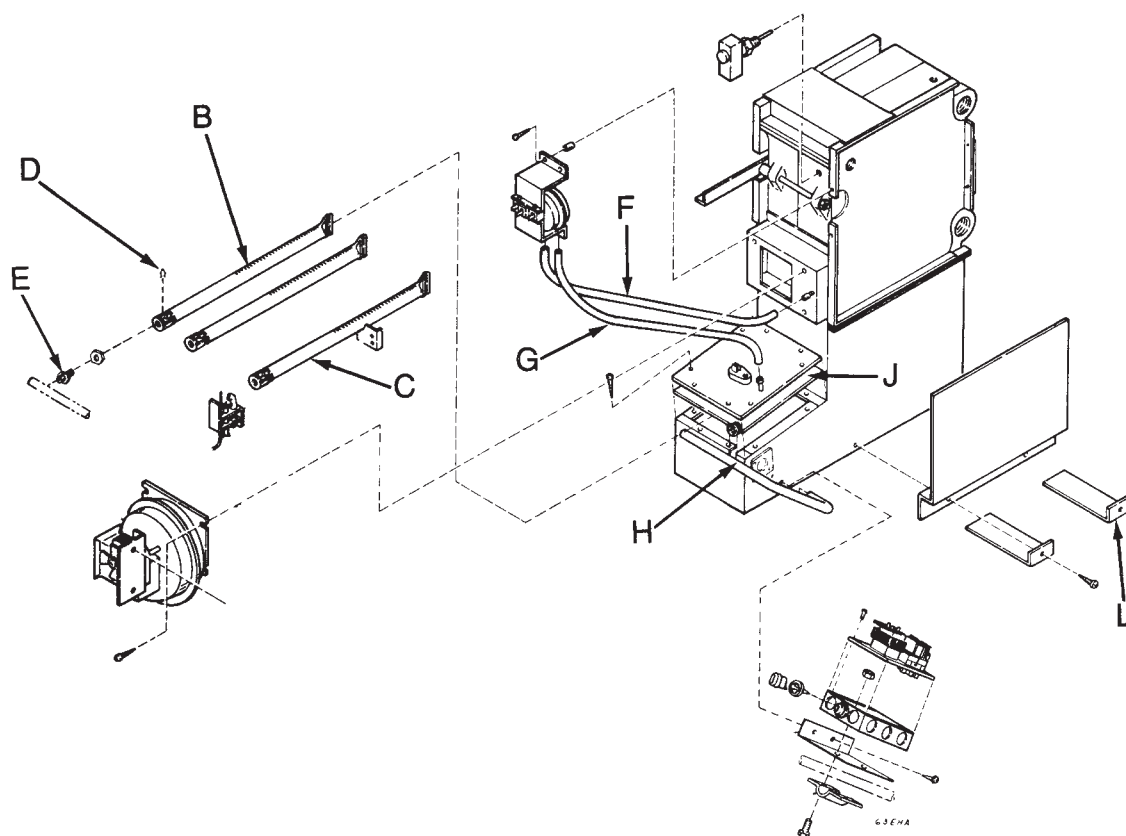


Fig. No.	Part No.	Description	Series No.	Notes
B	512-200-077	Burner, Tubular Steel, Regular	2, 3	
C	512-200-045	Burner, Tubular Steel with Pilot Bracket	2, 3	
D	562-610-325	Hair Pin Clip	2, 3	
E	560-529-018	Main Burner Orifice, Natural Gas, No. 48 Drill Size (Order sufficient quantities to replace all orifices within a base)	3	
E	560-529-019	Main Burner Orifice, Propane Gas, 1.15 mm Drill Size (Order sufficient quantities to replace all orifices within a base)	3	
H	591-126-572	Burner Manifold – AHE-45	2, 3	
H	591-126-573	Burner Manifold – AHE-60	2, 3	
J	590-317-605	Gasket, Burner Inlet Plenum Cover, 6" x 6" – AHE-45	2, 3	
J	590-317-606	Gasket, Burner Inlet Plenum Cover, 6" x 9" – AHE-60	2, 3	
	450-030-779	Burner Inlet Plenum Cover – AHE-45	2, 3	
	450-030-780	Burner Inlet Plenum Cover – AHE-60	2, 3	
L	450-030-769	Bottom Insulation Retainer	2, 3	
	411-400-155	Back Intake Wall Sleeve, Intake/Exhaust Tubes, 5 - 9" Wall	2, 3	
	411-400-160	Back Intake Wall Sleeve, Intake/Exhaust Tubes, 9 - 13" Wall	2, 3	
	411-400-175	Back Intake Wall Sleeve, Intake/Exhaust Tubes, 13 - 24" Wall	2, 3	
	411-400-145	Side Outlet Wall Sleeve, 5" – 9" Wall	2, 3	
	411-400-150	Side Outlet Wall Sleeve, 9" – 13" Wall	2, 3	
	411-400-170	Side Outlet Wall Sleeve, 13" – 24" Wall	2, 3	
	411-400-142	Side Outlet Intake/Exhaust Tube	2, 3	
	411-400-165	Mounting Panel Assembly	2, 3	
	450-030-786	Air Box Clip	2, 3	
	590-317-603	Gasket, Exhaust Box to Blower	2, 3	
	590-317-602	Gasket, Air Box to Burner Inlet	2, 3	
	obsolete	Rating Plate Panel	2, 3	
	321-411-110	Section Assembly AHE-45		
	321-411-115	Section Assembly AHE-60		

NOTE: AHE-45 has 3 burners, AHE-60 has 4 burners. If cycle pilot, replace 1 of the aforementioned burners with a burner w/pilot bracket.

AHE Series 2 & 3 Blower and Ignition Control Components

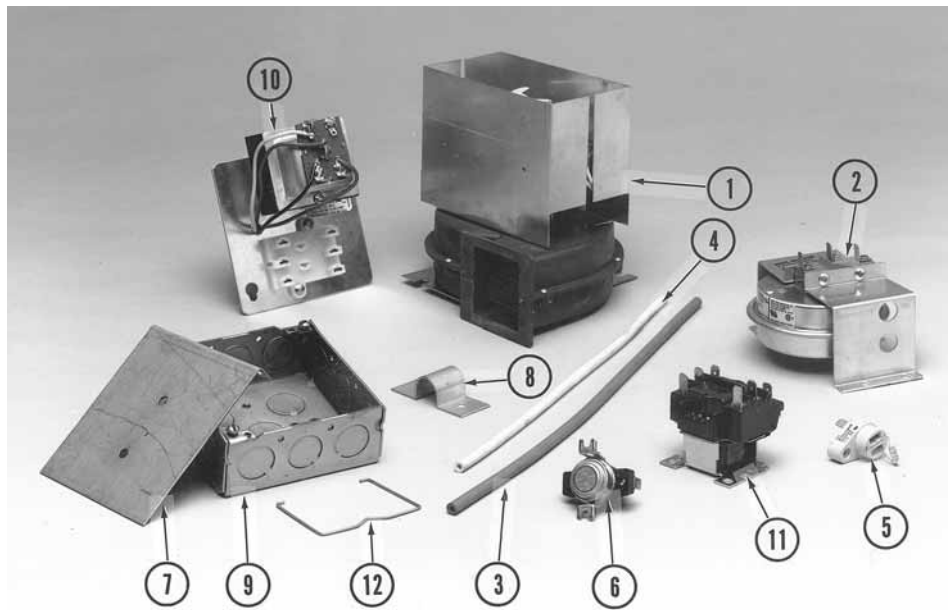


Fig. No.	Part No.	Description	Mfr.	Mfr.'s Part No.	AHE Boiler Size		Notes
					45	60	
1	510-811-466	Blower and Motor Assembly Replacement Kit (Includes Blower Housings Left & Right, Mounting Plate, Blower Wheel, Blower Motor 120/60/1, Motor Fan, Guard), Series 2 & 3	Weil-McLain		X	X	
2	511-624-530	Differential Pressure Switch, SPST Switch Action, 0.35" W.C. Setting, Sea Level to 4,000 ft. Elevation, Series 2 & 3	Tridelta	FS6707-1388	X		
2	511-624-530	Differential Pressure Switch, SPST Switch Action, 0.35" W.C. Setting, Sea Level to 4,000 ft. Elevation, Series 2 & 3	Tridelta	FS4125-116	X		
2	511-624-532	Differential Pressure Switch, SPST Switch Action, 0.30" W.C. Setting, Sea Level to 4,000 ft. Elevation, Series 2 & 3	Tridelta	FS6707-1389		X	
2	511-624-532	Differential Pressure Switch, SPST Switch Action, 0.30" W.C. Setting, Sea Level to 4,000 ft. Elevation, Series 2 & 3	Tridelta	FS4125-117		X	
3	590-317-636	Pressure Differential Switch Tubing, 1/8" ID x 14 1/2", Red, Series 2 & 3	Weil-McLain		X	X	
4	590-317-632	Pressure Differential Switch Tubing, 1/8" ID x 7", White, Series 2 & 3	Weil-McLain		X	X	
5	512-050-235	Thermo Fuse, 121° C, Series 2 & 3	Weil-McLain		X	X	
6	510-350-062	Low Water Cut-Off Temperature Control Device, 240° F Setting, SPST Switch Action, Manual Reset (Red Manual Reset Push Button), Series 2 & 3	Hamilton-Standard	404-132	X	X	
6	510-350-062	Low Water Cut-Off Temperature Control Device, 240° F Setting, SPST Switch Action, Manual Reset (Red Manual Reset Push Button), Series 2 & 3	Thermodisc	60T25 330850	X	X	
10	510-312-166	Combination Transformer-Relay Receptacle, 120/24 Volt, 40VA (w/Bale Wire), Series 2 & 3	Honeywell	R8285 K1004	X	X	
10	510-312-166	Combination Transformer-Relay Receptacle, 120/24 Volt, 40VA (w/Bale Wire), Series 2 & 3	Products Unlimited	5701E07C5 F223	X	X	
10	510-312-166	Combination Transformer-Relay Receptacle, 120/24 Volt, 40VA (w/Bale Wire), Series 2 & 3	White-Rodgers	584A-85	X	X	
10	510-312-166	Combination Transformer-Relay Receptacle, 120/24 Volt, 40VA (w/Bale Wire), Series 2 & 3	White-Rodgers	599-9001	X	X	
11	510-350-223	Plug-In Relay, DPST, 24 Volt Holding Coil, Series 2 & 3	Honeywell	R8222 U1006	X	X	
11	510-350-223	Plug-In Relay, DPST, 24 Volt Holding Coil, Series 2 & 3	Products Unlimited	9100- 241Q223	X	X	
11	510-350-223	Plug-In Relay, DPST, 24 Volt Holding Coil, Series 2 & 3	White-Rodgers	91-112006- 11000	X	X	
11	510-350-223	Plug-In Relay, DPST, 24 Volt Holding Coil, Series 2 & 2	White-Rodgers	91-322000- 11000	X	X	

AHE Series 2
Gas Control Components
with White-Rodgers Cycle Pilot Ignition/Sensing System

Part No.	Description	Mfg.	Mfg.'s Part No.	Boiler Size	
				45	60
Series 2 - Cycle Pilot					
obsolete	Combination Gas Control Valve, 1/2" x 1/2" N.P.T., 24 Volt, Natural Gas	White-Rodgers	36C84-258	x	x
511-330-122	Combination Safety Pilot Burner with Ignition Electrode and Ignition Lead Cable, 30"	White-Rodgers	E51-47	x	x
511-330-122	Combination Safety Pilot Burner with Ignition Electrode and Ignition Lead Cable, 30"	Beckett Gas	E51-D5	x	x
obsolete	Natural Gas Pilot Orifice, 2.020 diameter with 1/6" Tube Fitting and Clip	White-Rodgers	F69-2176	x	x
obsolete	Plug-In Mercury Flame Sensor, SPDT, 30" Cap	White-Rodgers	3098-156-S1	x	x
obsolete	Resistor Panel (Fits between Flame Sensor and Combination Gas Control Valve)	White-Rodgers	F67-0918	x	x
560-742-860	Pilot Tubing, 1/8" O.D. Aluminum X 22 3/4" Long, with Compression Fittings	Weil-McLain		x	x
obsolete	Pilot Relight Control Module, 24 Volt, Automatic Recycle	White-Rodgers	5059-21	x	x

NOTE: Cycle pilot parts are obsolete remaining inventory will be sold.

AHE Series 3 Gas Control Components

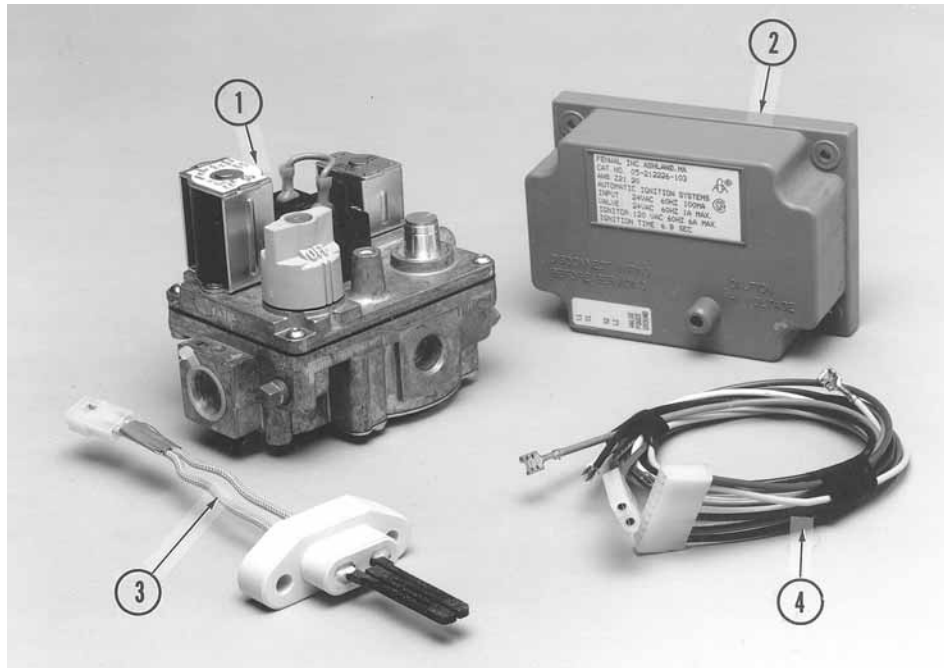


Fig. No.	Part No.	Description	Mfr.	Mfr.'s Part No.	AHE Boiler Size		Notes
					45	60	
1N	381-400-170	Gas Valve Replacement Kit, Natural Gas, HSI	Honeywell	VR8205A20 08	X	X	
			Robertshaw	7A5-A8B- 044			
			White-Rodgers	B1			
1P	381-400-173	Gas Valve Replacement Kit, Propane Gas, HSI	Honeywell	VR8205A20 81	X	X	
			Robertshaw	7A5-C3C- 045			
			White-Rodgers	B1			
2	NA	Fenwall 05-21, Ignition Sensing Control Module	Fenwall	05-21226- 103	X	X	
2	510-811-476	Retrofit kit from Fenwall 05-21 to Fenwall 2465H, Ignition Sensing Control Module. Includes module, ignitor replacement kit, wiring, hardware and instructions.	Fenwall	2465H	X	X	
2	NA	Fenwall 05-31 Ignition Sensing Control Module	Fenwall	05-316266- 152	X	X	
2	510-811-479	Retrofit kit from Fenwall 05-31 to Fenwall 2465H Ignition Sensing Control Module. Includes module, wiring pigtail, hardware, and instructions.	Fenwall	2465H	X	X	
3	511-330-148	Ignitor Replacement Kit. Includes Ignitor, Gasket, Screws	Weil-McLain		X	X	
4		Wire Harness for Fenwall 05-31 Module to ignitor	Weil-McLain		X	X	
NS		AHE Wiring Harness for 05-31 or 2465H	Weil-McLain		X	X	
NS	591-391-921	Pigtail for Fenwall 2465H Module to gas valve/24 volt ground	Weil-McLain		X	X	
NS	571-330-150	Fenwall 2465H Ignition Sensing Control Module only. See retrofit kits above for retrofitting.	Fenwall		X	X	

AHE Series 2 & 3 Water Trim

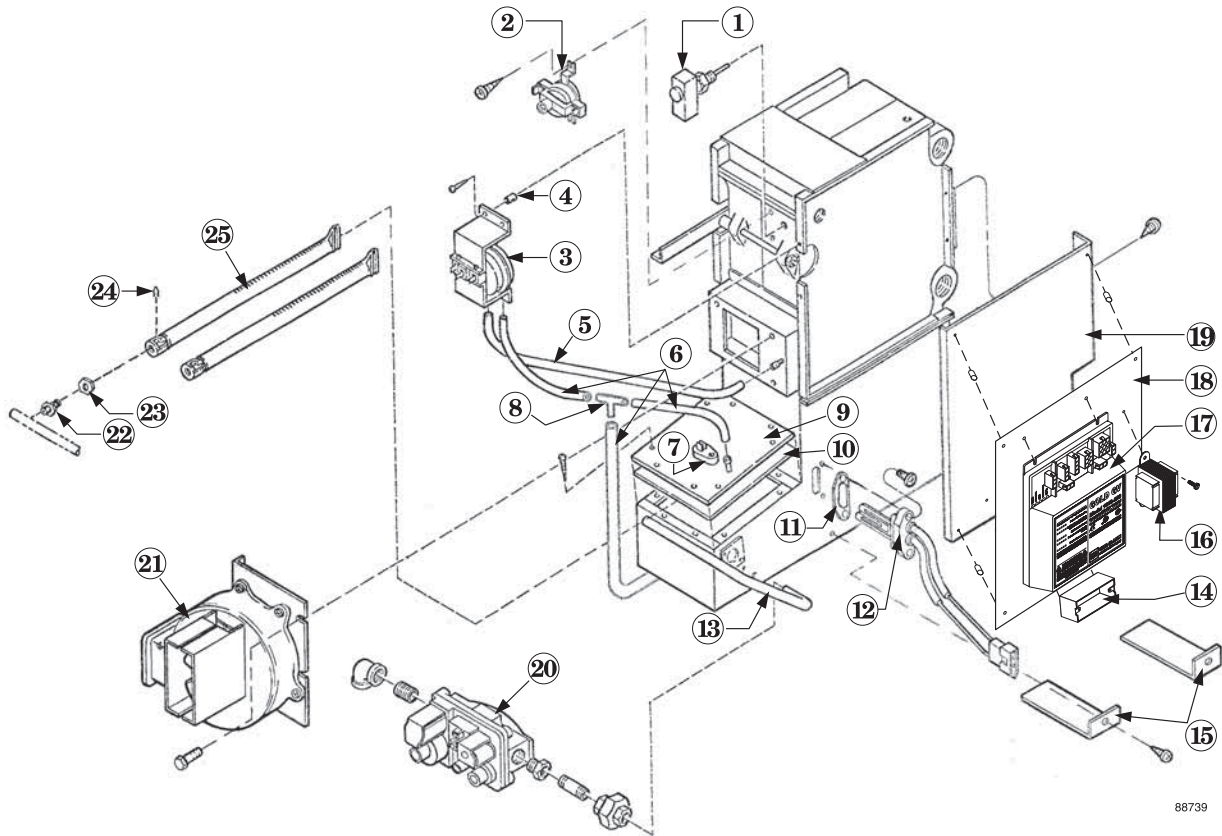


Fig. No.	Part No.	Description	Mfr.	Mfr.'s Part No.	AHE Boiler Size		Notes
					45		
1	510-312-012	High Limit Temperature Control, SPST Automatic Recycle, 140-220° F Range, 10° F Fixed Subtractive Differential, with 5/16" N.P.T. Brass Control Well, Series 2 & 3	White-Rodgers	2B61-425	X	X	
2	511-546-923	ASME Pressure Relief Valve, Set to Relieve at 50 PSIG, 3/4" N.P.T. Male Inlet, Brass, Side Outlet, Series 3 only	Conbraco	10-407-10	X	X	
	511-546-924	ASME Pressure Relief Valve, Set to Relieve at 30 PSIG, 3/4" N.P.T. Female Inlet, Brass, Side Outlet, Series 2 only	Watts	335	X	X	
	511-546-920	ASME Pressure Relief Valve, Set to Relieve at 30 PSIG, 3/4" N.P.T. Male Inlet, Brass, Side Outlet, Series 2 only	Watts	M330	X	X	
3	510-218-099	Combination Pressure-Temperature Gauge, 2 1/2" Dial, 0-60 PSIG, 60-260° F, Short Shank, Back Connection, 1/4" N.P.T., Series 2 & 3	Ametek	PT 1088	X	X	
	510-218-099	Combination Pressure-Temperature Gauge, 2 1/2" Dial, 0-60 PSIG, 60-260° F, Short Shank, Back Connection, 1/4" N.P.T., Series 2 & 3	ENFM-USA	1/4 CBM	X	X	
4	511-210-423	Drain Valve, 3/4" N.P.T., Brass, Series 2 & 3	Conbraco	31-606-01	X	X	
5	510-148-563	Automatic Air Vent, Float Type, 1/4" N.P.T., Series 2 & 3	Maid-O-Mist	66	X	X	
6	511-405-008	Combination Circulator-Bypass Mixing Valve Assembly with 1/35 HP, 120/60/1 Motor (with Circulator Cartridge and Bypass Mixing Thermal Element), Series 2 & 3	Taco	005-BF1-2W	X	X	
7	511-405-006	Circulator Cartridge with Gaskets and Hardware, Series 2 & 3	Taco	005-006RP	X	X	
8	511-405-007	Bypass Mixing Thermal Element with Gaskets and Spring, Series 2 & 3	Taco	005-009RP	X	X	
9	590-317-535	Circulator Gasket, Series 2 & 3	Weil-McLain		X	X	
10	381-354-530	Circulator Hardware Kit, 3/4" Universal, Series 2 & 3	Weil-McLain		X	X	

AHE Series 4 Base Assembly

WARNING

The boiler contains ceramic fiber and fiberglass materials. Use care when handling these materials per instructions on page 48 of this manual. Failure to comply could result in severe personal injury.

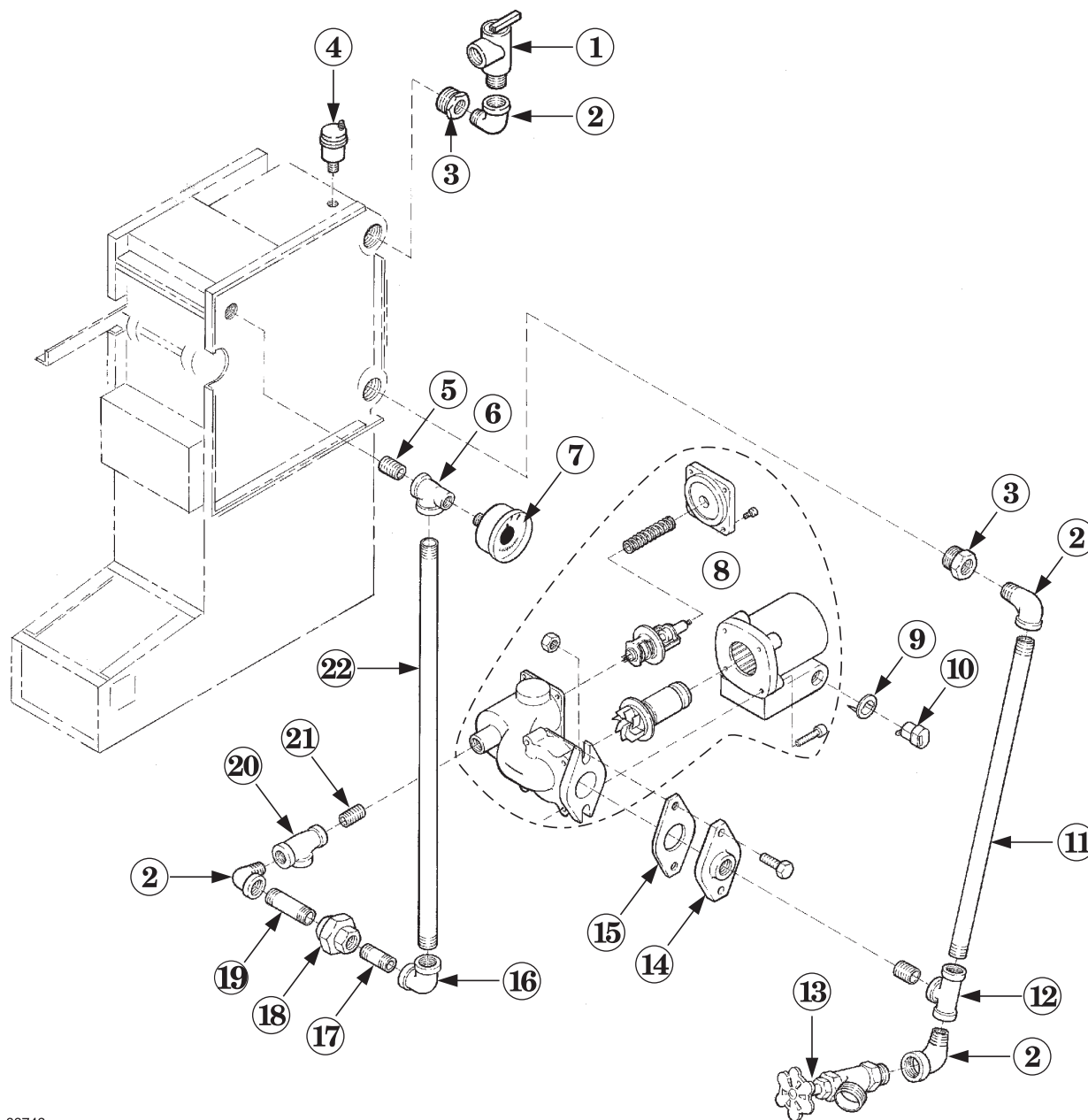


88739

Item number	Description	Manufacturer	Manufacturer's part number	Weil-McLain part number
1	Limit control, 120-240°, 10° fixed differential, with 5/16" well	White-Rodgers	2B61-425EL	510-312-009
2	Block temperature switch			510-350-062
3	Pressure switch AHE-45 — .35" w.c. AHE-60 — .30" w.c.	Tridelta	FS6707-1388 FS6707-1389	511-624-530 511-624-532
4	Spacer, #10 x 1/2, steel			563-039-975
5	Silicone tubing, white 7.00"	Lyndall, Inc.	80-0694-2	590-317-632
6	Silicone tubing, red 6.00" 12.00" 14.50"	Lyndall, Inc.	80-0694-2	590-317-645 590-317-631 590-317-636
7	Rollout thermal fuse element	Microtemp	G4AM0604121C	512-050-235
8	Tee, 1/8" x 1/8" x 1/8"			obtain locally
9	Burner inlet plenum cover AHE-45 — 6" AHE-60 — 9"			450-030-779 450-030-780
10	Gasket, burner inlet plenum cover AHE-45 AHE-60			590-317-605 590-317-606
11	Gasket, ignitor			590-317-599
12	Ignitor, with gasket	Norton	271	511-330-148
	Section Assembly AHE-45			321-411-110
	Section Assembly AHE-60			321-411-115

Item number	Description	Manufacturer	Manufacturer's part number	Weil-McLain part number
13	Burner manifold AHE-45 — 7.50" AHE-60 — 10.63"			591-126-572 591-126-573
14	Junction box, 4" x 2.12"			obtain locally
15	Bottom insulation retainer			450-030-769
16	Transformer	Honeywell Product Unltd. Basler Electric	AT140B1297 4000-01V18R223 BE111640GDD	511-842-370
17	Control module kit, includes module, circulator harness and temperature jumper	United Technologies	1013-200	382-200-448
18	Control mounting panel			450-030-829
19	Control panel			450-030-830
not shown	Wiring harness, control			591-391-831
20	Gas valve, natural gas, 1/2 x 1/2	White-Rodgers Honeywell Robertshaw	36E36-267 VR8205A2008 7200 DER	511-044-367
	Gas valve, propane gas, 1/2 x 1/2	White-Rodgers Honeywell Robertshaw	36E36-265 VR8205A2081 7200 DER	511-044-373
21	Blower motor assembly			510-811-466
22	Main burner orifice #48 hole natural gas 1.15 mm hole L.P.			560-529-018 560-529-019
23	Nut, hex jam, 1/2" x 20			obtain locally
24	Clip, hairpin			562-610-325
25	Main burner, stainless steel			512-200-077

AHE Trim Series 4



88742

AHE Trim Series 4

Fig. No.	Part No.	Description	Mfr.	Mfr's Part No.
1	511-546-923	Relief Valve, 3/4"	Conbraco	10-407-10
2	Obtain Locally	Street Elbow, 3/4", black		
3	Obtain Locally	Bushing, 1 1/2" x 3/4" black, inside hex		
4	510-148-563	Air Vent	Maid-O-Mist	66
			Watts	ZV-4MI
5	Obtain Locally	3/4" x close, Black, AHE-45		
		3/4" x 4 1/2", Black, AHE-60		
6	Obtain Locally	Tee, 3/4" x 1/4" x 3/4", black		
7	510-218-099	Combination temperature-pressure gauge, short shank	US Gauge	199980
			ENFM	4104-2-1/2-1/4CBM
8	511-405-008	Circulator pump with mixing valve	Taco	005-RFI-2W
NS	591-391-902	Wire Harness, with Temperature Sensor Plug, for Circulator	Weil-McLain	
	511-405-006	Circulator Cartridge with gaskets and hardware	Taco	005-006RP
	511-405-007	Bypass mixing element with gaskets and spring	Taco	005-009RP
9	Obtain Locally	Strain relief bushing		
10	Obtain Locally	Strain relief adapter		
11	Obtain Locally	Nipple, 3/4" x 13 1/2", black		
12	Obtain Locally	Tee, 3/4", black		
13	511-210-423	Drain valve, 3/4" x 1 1/2" shank	Conbraco	31-606-01
	511-246-392	Drain valve, 3/4" x 1 1/2" shank	Watts	BD-2C
			Hammond	710
14	381-354-530	Pump flange kit, 3/4", includes 1 flange, gasket, 2 bolts, 2 nuts		
15	590-317-535	Pump flange gasket		
16	Obtain Locally	Elbow, 3/4", black		
17	Obtain Locally	Nipple, 3/4" x 2 1/2", black		
18	Obtain Locally	Union, 3/4", black		
19	Obtain Locally	Nipple, 3/4" x 3", Black, AHE-45		
19	Obtain Locally	Nipple, 3/4" x 6", Black, AHE-60		
20	Obtain Locally	Tee, 3/4" x 1/2" x 3/4", black		
21	Obtain Locally	Nipple, 1/2" x close, black		
22	Obtain Locally	Nipple, 3/4" x 22 1/2", black		

AHE Jacket and Vent Parts Series 4

Part Number	Description	AHE-45	AHE-60
411-400-120	Complete Jacket, AHE-45 Nat.	X NAT.	
411-400-125	Complete Jacket, AHE-60 Nat		X NAT
411-400-121	Complete Jacket, AHE-45 LP	X LP	
411-400-126	Complete Jacket, AHE-60 LP		X LP

Vent Direction	Description	5-9" wall	9-13" wall	13-24" wall
Rear	Vent mounting assembly, includes all vent parts.	411-400-155	411-400-160	411-400-175
Side	Vent mounting assembly, includes all vent parts.	411-400-145	411-400-150	411-400-170

NOTE: Series 2 and 3 jackets are not available