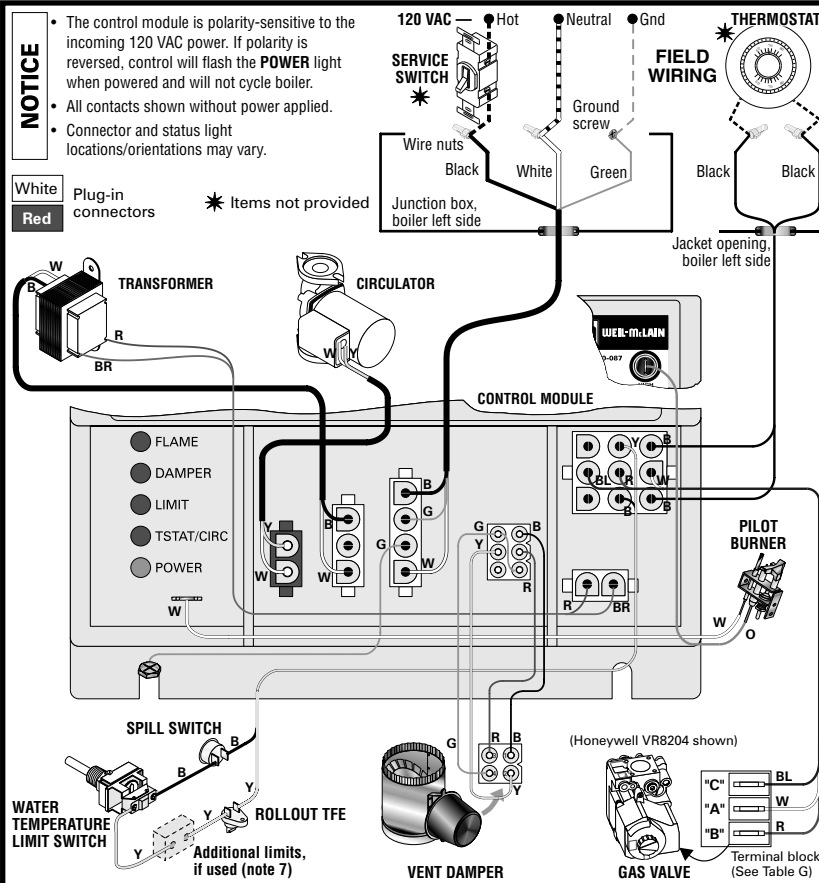


**NOTICE**

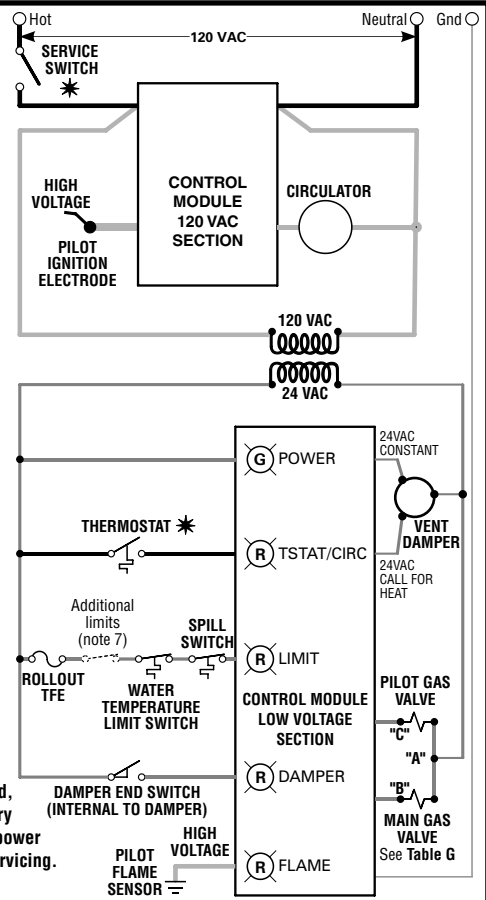
- The control module is polarity-sensitive to the incoming 120 VAC power. If polarity is reversed, control will flash the **POWER** light when powered and will not cycle boiler.
- All contacts shown without power applied.
- Connector and status light locations/orientations may vary.

White Plug-in connectors  
 Red Items not provided



**Schematic Wiring Diagram**  
**Ladder Wiring Diagram**

**WARNING**  
 Electrical shock hazard, can cause severe injury or death. Disconnect power before installing or servicing.



1. All wiring must be installed in accordance with:
  - A. U.S.A. — N.E.C. And any other national, state, or local code requirements.
  - B. Canada — C.S.A. C22.1 C.E.C. Part 1 and any other national, provincial, or local code requirements.
2. Pilot lead wires are not field replaceable. Replace pilot assembly if necessary.
3. If any of the original wire as supplied with the appliance must be replaced, use minimum 105 °C wire or equivalent. Exception — wires to a rollout TFE must be 200 °C or equivalent.
4. Thermostat anticipator setting (single zone) — see Table G for anticipator setting, depending on which gas valve is installed in boiler.
5. For multiple zoning, use either zone valves or circulators. Refer to the component manufacturer's instructions and this manual for application and wiring suggestions.
6. Refer to control component instructions packed with the boiler for application information.
7. Wire any additional limit controls (low water cut-off, additional high limit, etc.) in series with boiler limit control as shown.

**Table G: Gas valve terminals and anticipator settings**

Gas valve	"A"	"B"	"C"	Anticipator amps
Honeywell VR8204	MV/PV	MV	PV	0.6
Honeywell VR8304	MV/PV	MV	PV	0.8
Robertshaw 7200	C	M	P	0.55
White-Rodgers 36C	2-4 *	1	3	0.7

\* Terminals 2-4 are factory-jumpered on the White-Rodgers 36C gas valve.

**Legend for ladder wiring diagram**

- 120 VAC field wiring
- Low voltage field wiring
- 120 VAC factory wiring
- Low voltage factory wiring
- High voltage spark ignition wiring
- Ground connectors

**CGa 25 thru 8**

- Intermittent pilot ignition
- Natural or propane gas
- Forced hot water

**WEIL-McLAIN**  
 Weil-McLain • 500 Blaine St. • Michigan City, IN 46360-2388  
 Part Number 550-225-010/1101