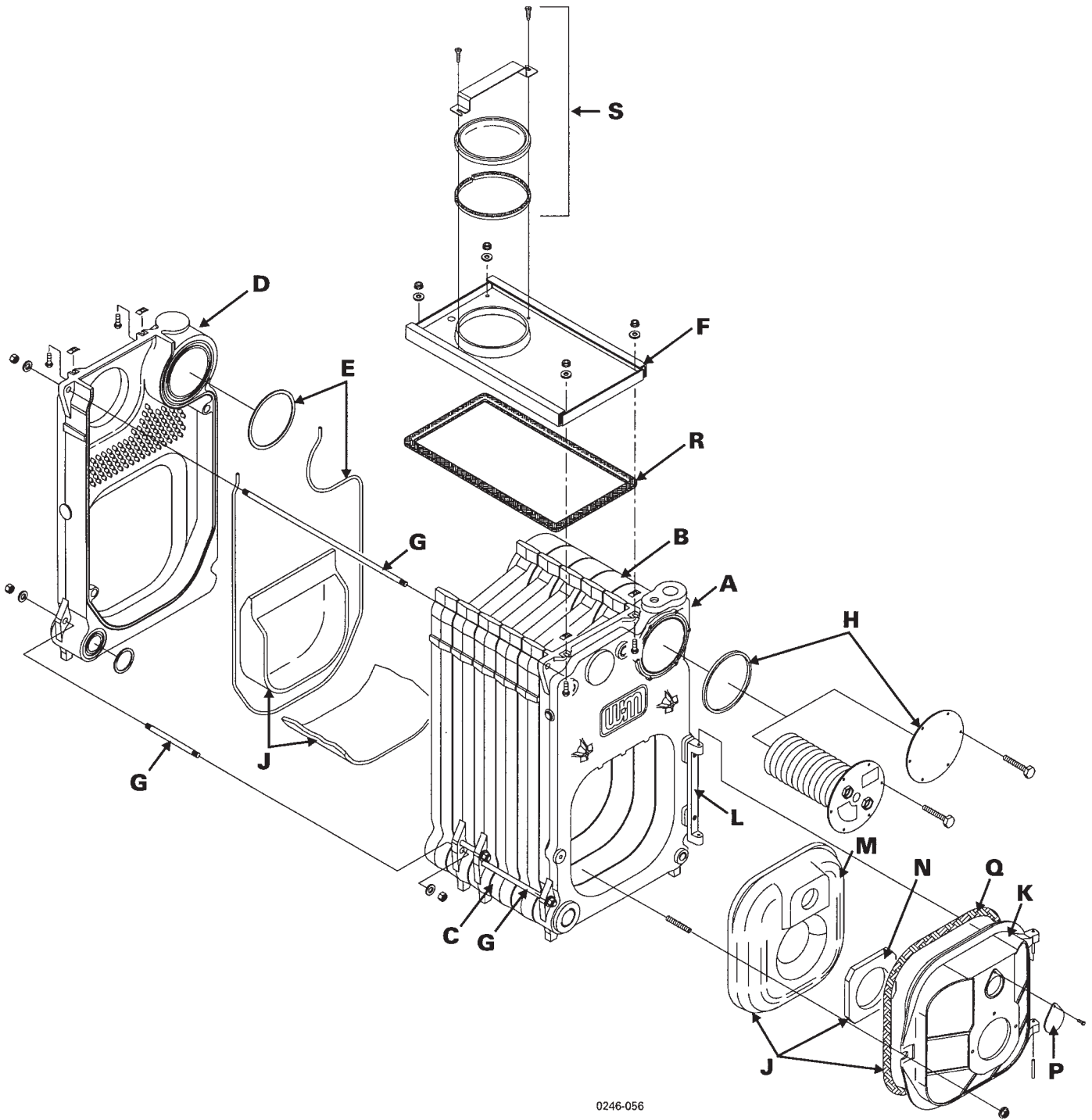


WTGO Series 3 Section Assembly



0246-056

OIL

WTGO Series 3 Section Assembly

Fig. No.	Part No.	Description	Casting No.	Notes	Boiler Size								
					3	4	5	6	7	8	9		
A	316-700-240	FRONT SECTION, w/envelope, fits Series 1, 2, & 3	7013		1	1	1	1	1	1	1	1	1
B	316-700-065	INTERMEDIATE SECTION, NARROW	7015			2	3	4	3	4	5		
	316-700-075	INTERMEDIATE SECTION, WIDE	7010		1								
C	316-700-070	INTERMEDIATE SECTION, w/DRAW ROD LUGS	7016						2	2	2		
D	316-700-265	BACK SECTION w/2 1/2" SUPPLY & 2 1/2" RETURN	7017		1	1	1	1	1	1	1	1	1
E	386-700-851	INTERMEDIATE SECTION REPLACEMENT KIT (Includes: seals, rope and adhesive for one joint)	-		-	1	2	3	4	5	6		
	386-700-852	REAR SECTION REPLACEMENT KIT (Includes: seals, rope, adhesive and collector hood fasteners for front & rear sections)	-		1	1	1	1	1	1	1	1	1
	386-700-855	FRONT SECTION REPLACEMENT KIT (Includes: seals, rope, adhesive and collector hood fasteners for front & rear sections)	-		1	1	1	1	1	1	1	1	1
H	386-700-360	HEATER COVER PLATE CARTON (plate, studs, seal)	-		1	1	1	1	1	1	1	1	1
	386-700-658	REPLACEMENT SECTION ASSEMBLY COMPLETE w/JACKET	-		1								
	386-700-659	REPLACEMENT SECTION ASSEMBLY COMPLETE w/JACKET	-			1							
	386-700-660	REPLACEMENT SECTION ASSEMBLY COMPLETE w/JACKET	-				1						
	386-700-661	REPLACEMENT SECTION ASSEMBLY COMPLETE w/JACKET	-					1					
	386-700-662	REPLACEMENT SECTION ASSEMBLY L/JACKET	-						1				
	386-700-663	REPLACEMENT SECTION ASSEMBLY L/JACKET	-							1			
	386-700-664	REPLACEMENT SECTION ASSEMBLY L/JACKET	-									1	
F	386-700-336	COLLECTOR HOOD KIT (WTGO-32)	-										
	386-700-337	COLLECTOR HOOD KIT	-		1	1							
	386-700-338	COLLECTOR HOOD KIT	-				1						
	386-700-339	COLLECTOR HOOD KIT	-					1					
	450-020-188	COLLECTOR HOOD KIT	-						1				
	450-020-189	COLLECTOR HOOD KIT	-							1			
	450-020-190	COLLECTOR HOOD KIT	-									1	
G	560-234-464	TIE ROD 1/2" X 5 1/2"	-						2	2	2		
	560-234-491	TIE ROD 1/2" X 12"	-						2	2			
	560-234-492	TIE ROD 1/2" X 10 3/4 "	-						2				
	560-234-470	TIE ROD 1/2" X 14 "	-		4	4				2	2		
	560-234-495	TIE ROD 1/2" X 15"	-									2	
	560-234-472	TIE ROD 1/2" X 17"	-				4						
	560-234-534	TIE ROD 1/2" X 20"	-					4					
	560-234-538	TIE ROD 1/2" X 23 1/4	-						2				
	560-234-542	TIE ROD 1/2" X 26 3/8"	-							2			
	560-234-497	TIE ROD 1/2" X 29 1/2"	-									2	
	561-928-221	NUT, REGULAR HEX, 1/2" (2 required per rod)	-		8	8	8	8	8	8	8	16	
	562-248-668	WASHER, MEDIUM SPLIT PLAIN LOCK, 1/2" (1 required per rod)	-		4	4	4	4	4	4	4	8	
	386-700-355	COMBUSTION CHAMBER KIT (Includes: rear & front refractory, blanket & water glass)	-		1	1	1	1	1	1	1	1	1
	386-700-358	BURNER MOUNTING DOOR ASSEMBLY (Includes: door, observation port, rope, insulation & pins)	-		1	1	1	1	1	1	1	1	1
K	330-054-302	BURNER MOUNTING DOOR NOT FOR SALE (you must purchase 386-700-358 Burner Door Assembly)	7070		1	1	1	1	1	1	1	1	1
L	330-054-300	DOOR HINGE	7054		1	1	1	1	1	1	1	1	1
M	386-700-359	DOOR REFRACTORY	-		1	1	1	1	1	1	1	1	1
N	591-222-115	DOOR REFRACTORY BLANKET	-		1	1	1	1	1	1	1	1	1
P	460-039-867	OBSERVATION PORT SHUTTER	-		1	1	1	1	1	1	1	1	1
F	590-735-104	DOOR SEAL ROPE, 55G	-		1	1	1	1	1	1	1	1	1
R	590-735-109	GLASS ROPE, 3/8" FOR COLLECTOR HOOD, 7H	-		1	1	1	1	1	1	1	1	1
S	386-700-344	FLUE CAP KIT (Includes: cap, handle, rope & screws)	-										
	591-706-214	FLUE BRUSH	-		1	1	1	1	1	1	1	1	1
	592-800-007	Round 6" tankless heater gasket	-										
	560-340-577	Tankless heater nut and stud	-										
	592-800-007	Round 6" section seal gasket	-										
	592-800-010	Round 3" section seal gasket	-										

WGO, WTGO Series 3 Trim

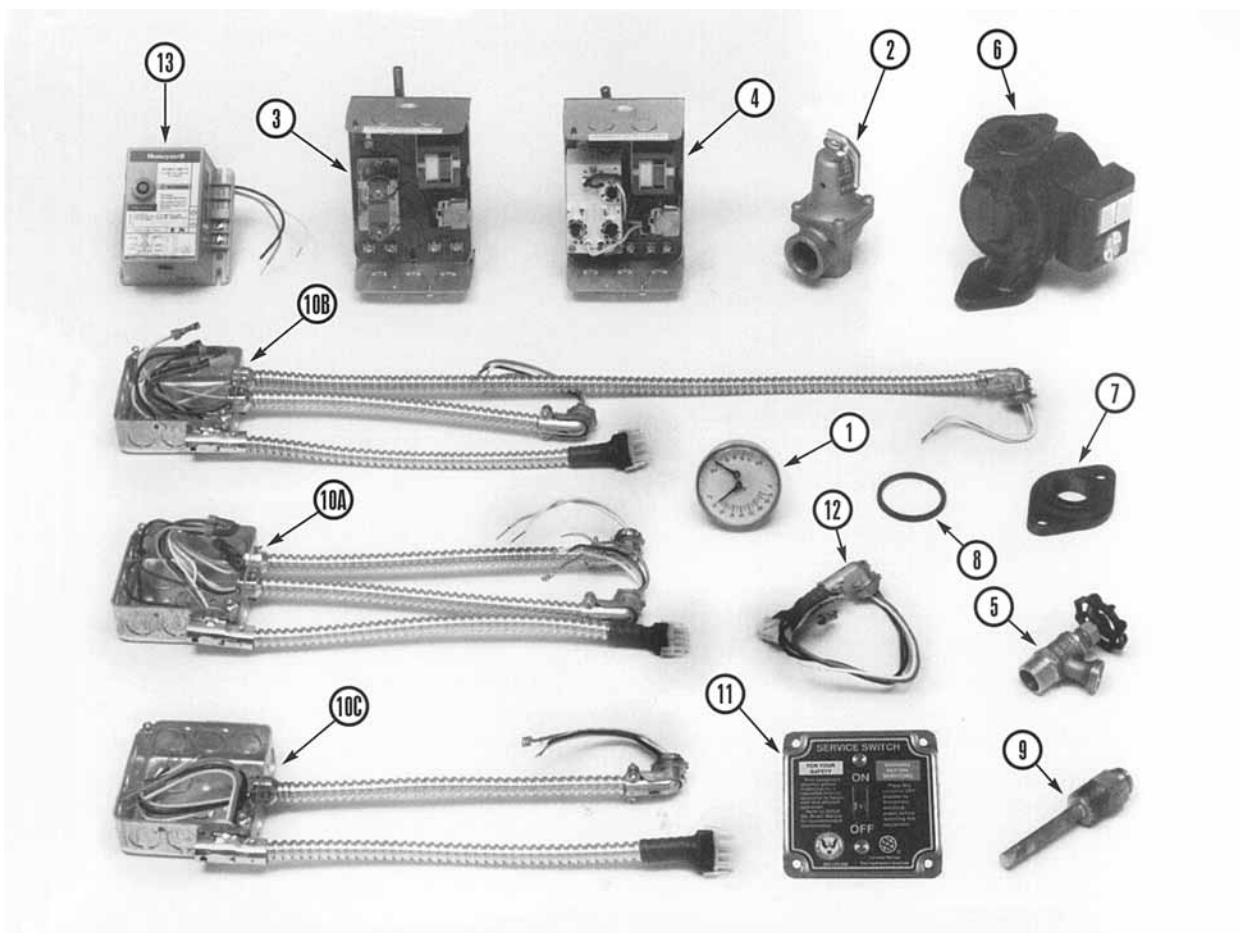


Fig. No.	Part No.	Description	Mfr.	Mfr.'s Part No.	Notes	Boiler	
						WGO	WTGO
1	380-000-000	Combination Pressure-Temperature Gauge kit, 60° - 360° F., 0 - 75 psi, 3 1/8" Dia, 1/4" NPT, Short Shank, with 1/4" x 1/2" reducing bushing	Weil-McLain			X	X
2	511-546-920	ASME Pressure Relief Valve, set to relieve at 30 PSIG, 3/4" male inlet, 3/4" female outlet	Conbraco	M330		X	X
3, 4	510-300-015	Electronic Aquastat, High limit or Combination High/low limit, with LWCO, High limit 100° - 220°, Low limit 110° - 200°, Adj. Differential 10° to 30°, circulator amps - 5.8 FLA, Anticipator, .2amps	Hydrolevel	3150		X	X
9	510-300-015	3/4" NPT well, 4.25" long	Hydrolevel			X	
9	510-300-015	3/4" NPT well, 6.25" long	Hydrolevel				X

OIL

WGO, WTGO Series 3 Trim

Fig. No.	Part No.	Description	Mfr.	Mfr.'s Part No.	Notes	Boiler	
						WGO	WTGO
4	592-300-005	3/4" well for above limit control					
5	511-210-423	DRAIN COCK, 3/4", 1 1/2" shank	Conbraco	31-606-01		X	X
	511-246-392	DRAIN COCK, 3/4"	Hammond	710		X	X
		DRAIN COCK, 3/4"	Watts	BD2C		X	X
		DRAIN COCK, 3/4"	Matco-Norca			X	X
		DRAIN COCK, 3/4"	Nibco	#74		X	X
6	511-405-118	CIRCULATOR, 1/20 HP, 120/60/1 Motor, 175 RPM, 0.74 Amps	Bell & Gossett	NRF-22		X	X
	511-405-113	CIRCULATOR, 1/25 HP, 120/60/1 Motor, 175 RPM, 0.75 Amps	Taco	W007F		X	X
	511-405-126	CIRCULATOR, 1/25 HP, 120/60/1 Motor, 1725 RPM, 0.74 Amps	Grundfos	UP15-42FR-TB4		X	X
	511-405-115	CIRCULATOR, 1/12 HP, 120/60/1 Motor, 1725 RPM	Bell & Gossett	SERIES 100		X	X
7	381-354-526	CIRCULATOR UNIVERSAL HARDWARE KIT 1 1/4" (Includes: (1) Flange, (1) Gasket, (2) Screws and (2) nuts) for sizes 2, 3 & 4 only	Weil-McLain	-		X	X
7	381-354-531	CIRCULATOR UNIVERSAL HARDWARE KIT 1 1/2" (Includes: (1) Flange, (1) Gasket, (2) Screws and (2) nuts) for sizes 5 & 6 only	Weil-McLain			X	X
9	592-300-006	IMMERSION WELL, 3/4" N.P.T., 3 1/8" bulb, standard shank	Honeywell	123870A		X	
	592-300-005	IMMERSION WELL, 3/4" N.P.T., 3 1/8" bulb, standard shank	Honeywell	L123871A			X
	592-300-006	IMMERSION WELL, 3/4" N.P.T., 3 1/8" bulb, standard shank	Heat Transfer Products	PMW-3S		X	
	592-300-005	IMMERSION WELL, 3/4" N.P.T., 3 1/8" bulb, standard shank	Heat Transfer Products	PMW-3SE			X
10C	591-391-846	JUNCTION BOX - WIRING HARNESS ASSEMBLY (Series 1 A & B only)	Weil-McLain	-		X	X
10B	591-391-856	JUNCTION BOX - WIRING HARNESS ASSEMBLY (Series 1 only - Large Pump)	Weil-McLain	-		X	X
10A	591-391-836	JUNCTION BOX - WIRING HARNESS ASSEMBLY (Series 2 & 3 Packaged only)	Weil-McLain	-		X	X
NS	591-391-837	JUNCTION BOX - WIRING HARNESS ASSEMBLY (Series 2 & 3 A & B only)	Weil-McLain	-		X	X
11	591-391-854	JUNCTION BOX COVER ASSEMBLY with service switch	Weil-McLain	-		X	X
12	591-391-850	BURNER HARNESS ASSEMBLY	Weil-McLain	-		X	X
NS	426-700-268	FLUE PIPE BRACKETS (Set of 2)	Weil-McLain	-		X	X
NS	590-921-599	Tankless Heater - water boiler, includes heater, gasket, nuts and studs. For boiler size WTGO-3L	Heat Transfer Products	WT-11			X
NS	590-921-612	Tankless Heater - water boiler, includes heater, gasket, nuts and studs. For boiler sizes WTGO-3, 4, 5, & 6	Heat Transfer Products	WT-14			X
NS	590-921-610	Tankless Heater - water boiler, includes heater, gasket, nuts and studs. For boiler sizes WTGO-7, 8, & 9	Heat Transfer Products	WT-20			X
	510-512-267	Barometric Damper				X	X

WGO WTGO SGO UL and Non-UL Jacket Panels Series 3

Note: All jacket panels come with appropriate labels

To order a UL jacket front or left and rear panel, a boiler CP (Serial) number or W-M order number must be provided.

First Serial number of UL 726 boiler is CP5446111

To order a complete jacket for size 2 thru 6, order items 1, 2, 3, and Jacket hardware kit.

For boiler size 7, 8, or 9 can only order complete jacket carton as listed below

Boiler Model	1		2		3	
	Jacket panel with insulation, front		Left side and rear		Right side and rear	Top panel with cap
	UL	Non-UL	UL	Non-UL	UL & Non-UL	UL & Non-UL
	Weil-McLain part number					
WGO-2	381-355-494	381-355-593	381-355-495	381-355-496	426-700-250	381-355-497
WGO-3			381-355-498	381-355-499	426-700-252	381-355-500
WGO-4			381-355-498	381-355-499	426-700-252	381-355-771
WGO-5			381-355-501	381-355-502	426-700-254	381-355-505
WGO-6			381-355-506	381-355-507	426-700-256	381-355-508
	Weil-McLain part number					
WTGO-3L	381-355-509	381-355-594	381-355-510	381-355-511	426-700-250	381-355-772
WTGO-3	381-355-512	381-355-595	381-355-513	381-355-514	426-700-252	381-355-773
WTGO-4			381-355-515	381-355-516	426-700-252	381-355-774
WTGO-5			381-355-517	381-355-518	426-700-254	381-355-775
WTGO-6			381-355-519	381-355-520	426-700-256	38-355-776
	Weil-McLain part number					
SGO-3	381-355-521	381-355-596	381-355-522	381-355-523	426-700252	381-355-524
SGO-4			381-355-525	381-355-526	426-700-254	381-355-527
SGO-5			381-355-528	381-355-529	426-700-256	381-355-530
SGO-6			381-355-531	381-355-532	426-700-258	381-355-533
	Complete jacket cartons					
	WGO		WTGO		SGO	
	UL	Non-UL	UL	Non-UL	UL	Non-UL
7 section	416-700-170	416-700-171	416-700-176	416-700-177	416-700-182	416-700-183
8 section	416-700-172	416-700-173	416-700-178	416-700-179	416-700-184	416-700-185
9 section	416-700-174	416-700-175	416-700-180	416-700-181	416-700-186	416-700-187
	Common jacket parts for all boilers					
	Plastic flue cap cover w/insulation		560-907-687			
	Jacket hardware kit		386-700-853			
	Touch up paint, gold spray can		592-000-000			