



**WEIL-McLAIN**

# SGO Boiler

**Series 3 Oil-Fired Natural Draft Steam Boiler**

## Addendum

**This Addendum needs to be used in conjunction with  
Boiler Manual - SGO - P/N 550-141-829 and  
for Canada - Blocked Vent Shutoff Switch  
Wiring Supplement - P/N 550-141-985**



**UL-726 Certified**



**Installer:** Make sure this is the correct addendum for the boiler. Verify boiler model on rating label.

Leave all documentation received with boiler and burner with unit for future reference.

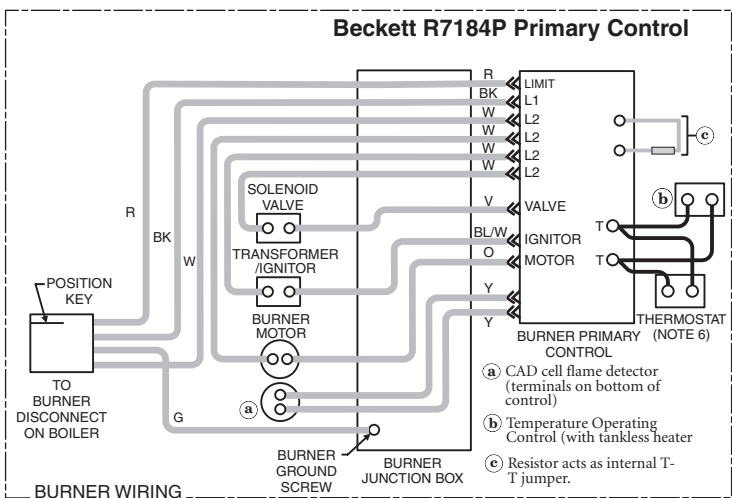
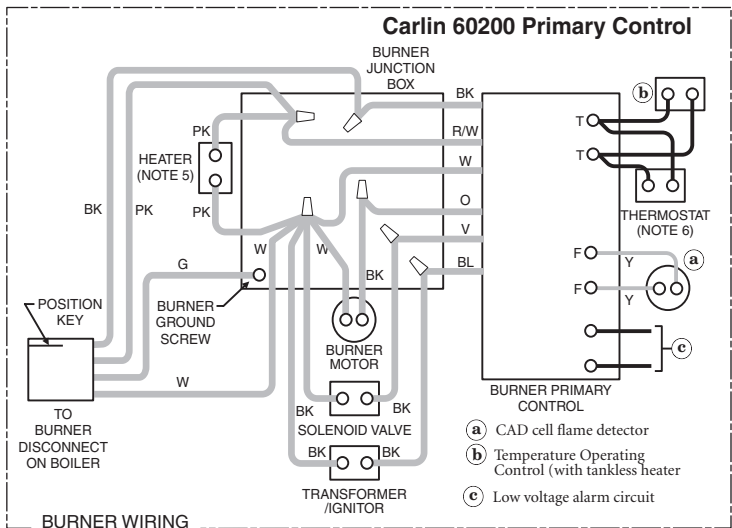
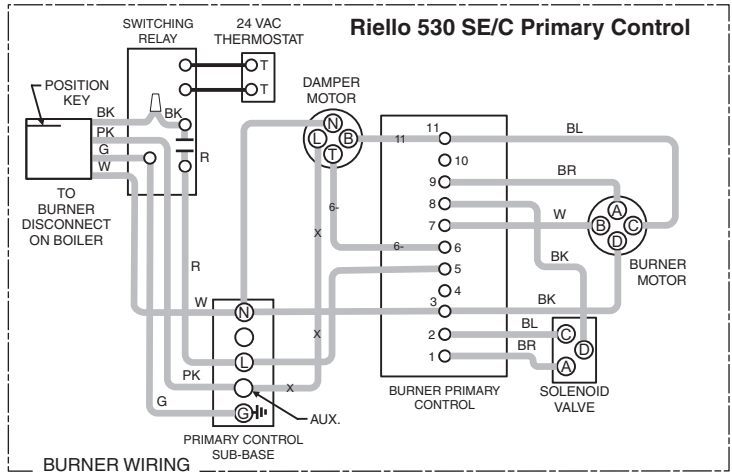
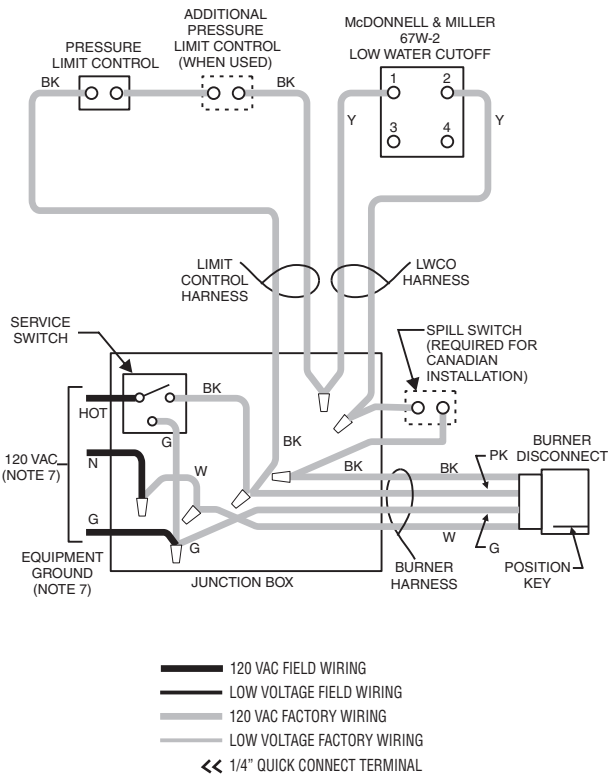
**User:** Boiler and burner must be installed and serviced by qualified service technician.

**WARNING** Electrical shock hazard — can cause severe injury or death. Disconnect power before installing or servicing.

**NOTICE** Burners with Beckett Clean Cut Pump must be used with a primary control that has a valve-on delay (pre-purge). Controls shown have valve on delay (see control manufacturer's instructions for timings.)

**NOTES:**

1. All wiring must be installed in accordance with N.E.C. and any other national, state, or local code requirements. For Canadian installations, all wiring must comply with the Canadian Electrical Code.
2. All wiring must be N.E.C. Class 1.
3. Refer to control component instructions packed with the boiler for application information.
4. If any of the original wire as supplied with the appliance must be replaced, use minimum 105°C wire or equivalent.
5. Nozzle line heater is standard on Carlin EZ burners. Leave wire capped and unattached if not used.
6. Set thermostat heat anticipator as per control manufacturer's recommendations.
7. Connect incoming line voltage "HOT" wire to service switch and neutral wire to white wire. Connect ground wire to green wire with wire nut.



**SGO**  
3 thru 9

- Steam, with or without tankless heater
- Float-type low water cutoff

**Wm WEIL-McLAIN**

Weil-McLain 500 Blaine St. Michigan City, IN 46360-2388

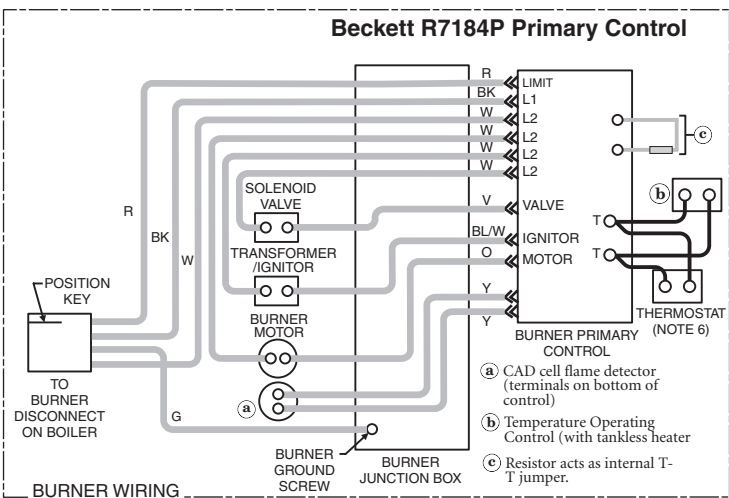
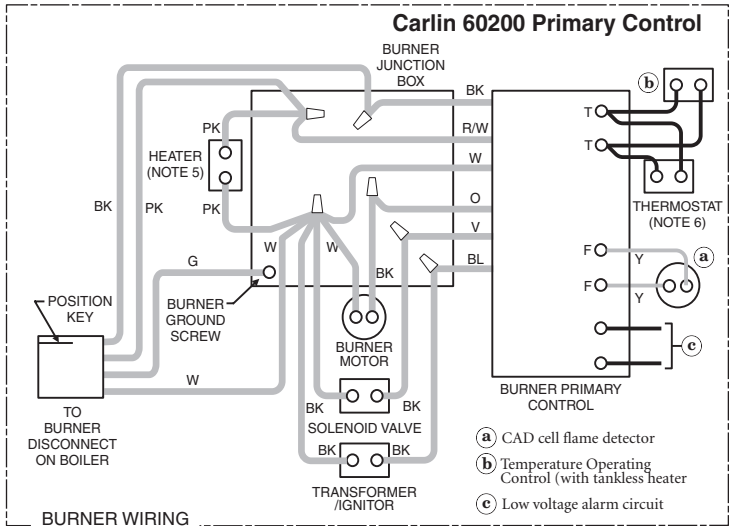
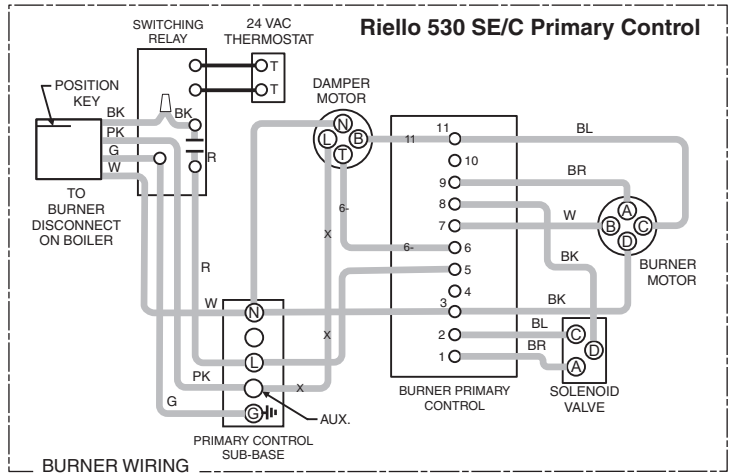
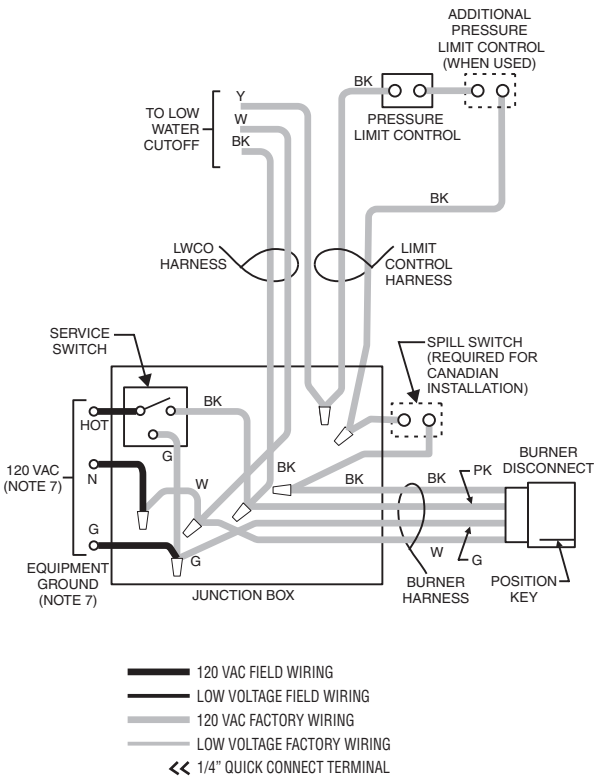
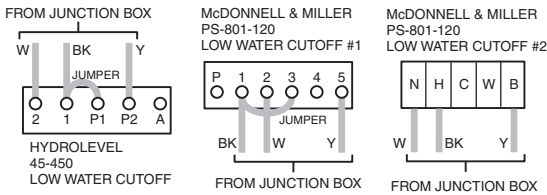
**PART NUMBER 550-200-019/0606**

**WARNING** Electrical shock hazard — can cause severe injury or death. Disconnect power before installing or servicing.

**NOTICE** Burners with Beckett Clean Cut Pump must be used with a primary control that has a valve-on delay (pre-purge). Controls shown have valve on delay (see control manufacturer's instructions for timings.)

**NOTES:**

1. All wiring must be installed in accordance with N.E.C. and any other national, state, or local code requirements. For Canadian installations, all wiring must comply with the Canadian Electrical Code.
2. All wiring must be N.E.C. Class 1.
3. Refer to control component instructions packed with the boiler for application information.
4. If any of the original wire as supplied with the appliance must be replaced, use minimum 105 °C wire or equivalent.
5. Nozzle line heater is standard on Carlin EZ burners. Leave wire capped and unattached if not used.
6. Set thermostat heat anticipator as per control manufacturer's recommendations.
7. Connect incoming line voltage "HOT" wire to service switch and neutral wire to white wire. Connect ground wire to green



**SGO**  
3 thru 9

- Steam, with or without tankless heater
- Probe-type low water cutoff

**WEIL-McLAIN**  
Weil-McLain 500 Blaine St. Michigan City, IN 46360-2388  
**PART NUMBER 550-200-021/0606**

## 1. INSTALLATION REQUIREMENT

**⚠ CAUTION** Do not tamper with the unit or controls.

To comply with ASME, UL 726 or Canadian requirements, replace with an additional high pressure limit control is needed. Install control between existing pressure control and pressure gauge. Control **must** be installed with syphon (supplied with the boiler) between control and boiler. Set control to minimum of 5 psi. Wire as shown on boiler wiring diagram.

## 2. GENERAL MAINTENANCE REQUIREMENT

Keep manual valve shut off when burner shut down for extended period of time.

Maintain all cover plates, etc. in place, except during maintenance.

In Canada, Blocked Vent Shutoff Switch Kit (W-M P/N 511-624-650), supplied with the boiler, must be installed.

\* The wiring diagrams included in this addendum supersedes the wiring diagram in the boiler manual.



Weil-McLain  
500 Blaine Street  
Michigan City, IN 46360-2388  
<http://www.weil-mclain.com>