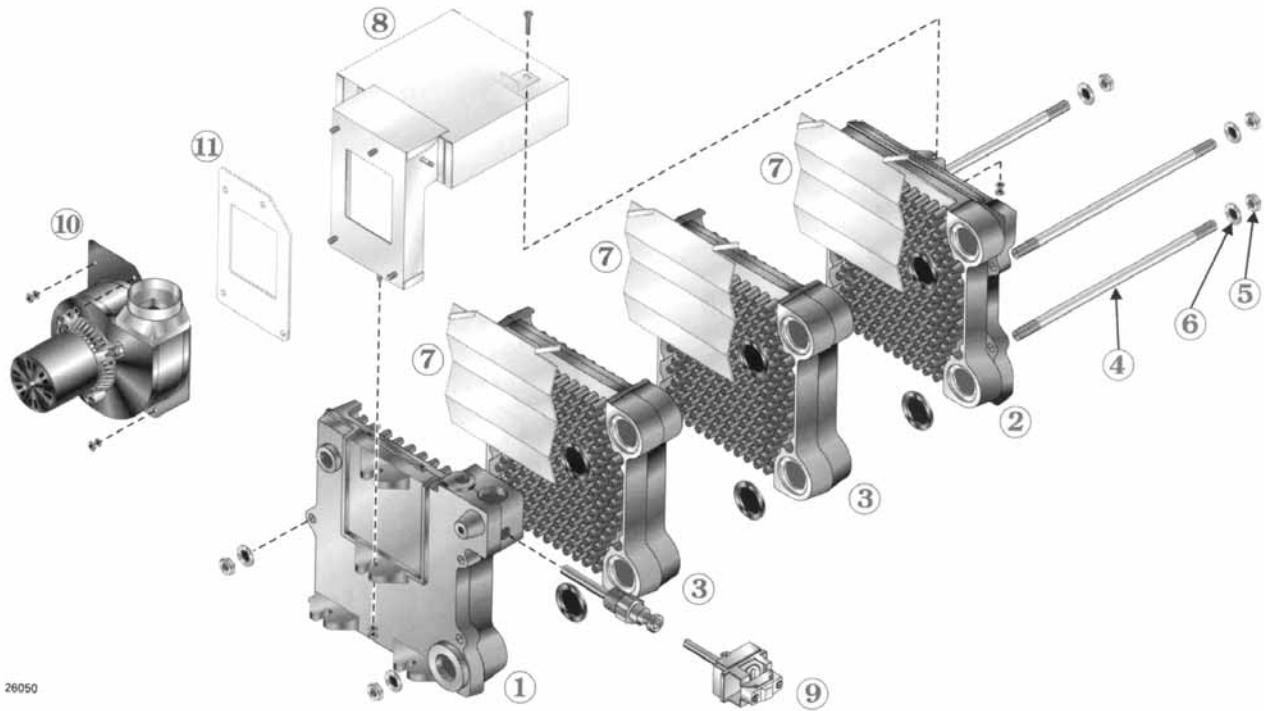


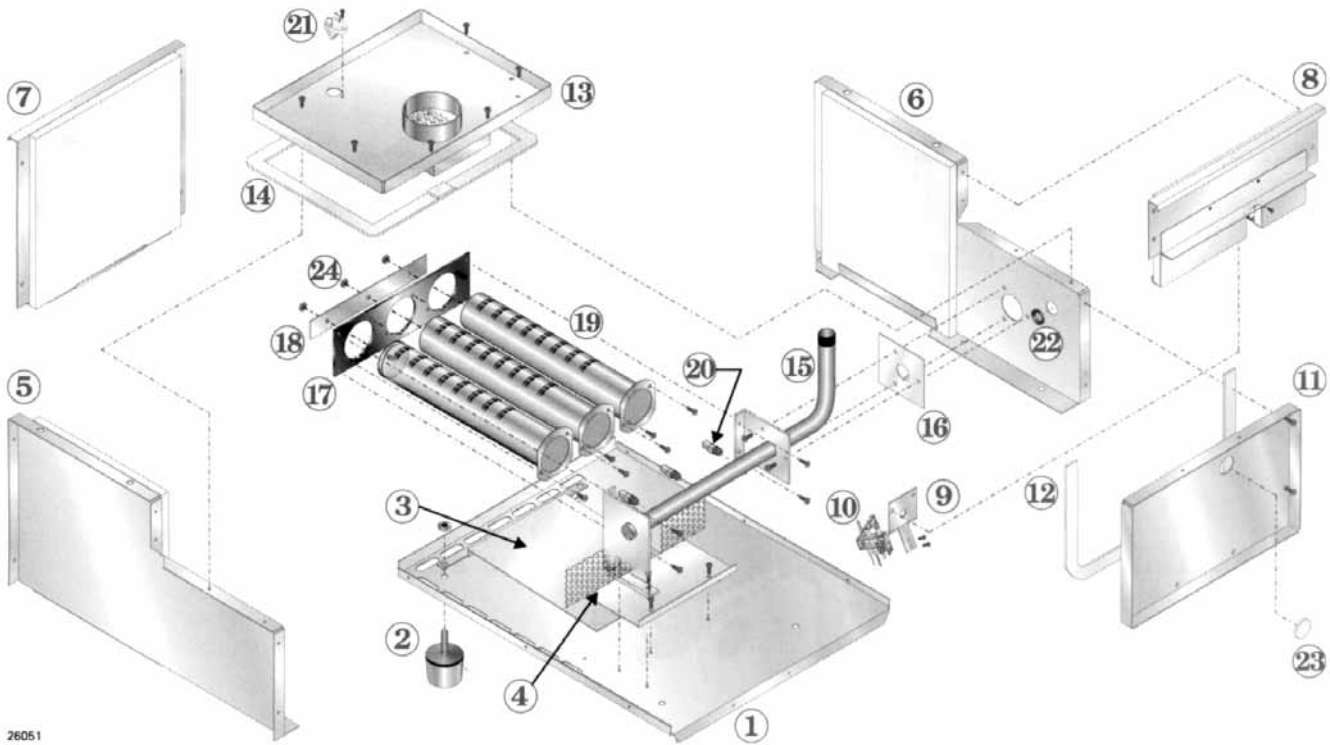
## CGs Section Assembly



28050

Fig. No.	Part No.	Description	Mfr.	Mfr.'s Part No.	Boiler Size	Notes
1	311-103-851	End Section, Left Hand, Cast # 51124	Weil-McLain		All	
2	311-103-821	End Section, Right Hand, Cast # 51128	Weil-McLain		All	
3	311-103-818	Intermediate Section, Cast # 51125	Weil-McLain		All	
NS	321-114-286	Replacement Section Assembly	Weil-McLain		3	
	321-114-287	Replacement Section Assembly	Weil-McLain		4	
	321-114-288	Replacement Section Assembly	Weil-McLain		5	
	321-114-289	Replacement Section Assembly	Weil-McLain		6	
	381-354-527	Section Replacement Kit, Includes Seals and Sealant for 1 Joint	Weil-McLain		All	
4	560-234-500	Tie Rod, 7/16" x 9" Without Nut (3 per Boiler)	Weil-McLain		3	
	560-234-501	Tie Rod, 7/16" x 12" Without Nut (3 per Boiler)	Weil-McLain		4	
	560-234-502	Tie Rod, 7/16" x 15" Without Nut (3 per Boiler)	Weil-McLain		5	
	560-234-503	Tie Rod, 7/16" x 18" Without Nut (3 per Boiler)	Weil-McLain		6	
5	561-928-235	Nut, 7/16" (2 per Tie Rod)	Weil-McLain		All	
6	562-248-684	Washer, Lock 7/16" ( 1 per Tie Rod)	Weil-McLain		All	
7	460-003-700	Radiation Plate (1 per Joint)	Weil-McLain		All	
8	381-354-590	Collector Hood and Transition Assembly	Weil-McLain		3	
	381-354-591	Collector Hood and Transition Assembly	Weil-McLain		4	
	381-354-592	Collector Hood and Transition Assembly	Weil-McLain		5	
	381-354-593	Collector Hood and Transition Assembly	Weil-McLain		6	
9	510-312-250	High Limit, 30° Subtractive Differential, With Well	Honeywell	L4080D-1036	All	
		High Limit, 30° Subtractive Differential, With Well	White-Rodgers	11B81-3		
10	381-356-499	Inducer Fan Assembly Kit, Includes Inducer Fan Assembly, Gasket and Nuts	Fasco	7021-10410	All	
				7062-5326		
11	590-317-627	Gasket, Inducer	Weil-McLain		All	
NS	382-200-430	Includes Intake/Exhaust cap, coupling, mounting & backing plate and hardware	Weil-McLain			

# CGs Base Assembly



26051

GAS

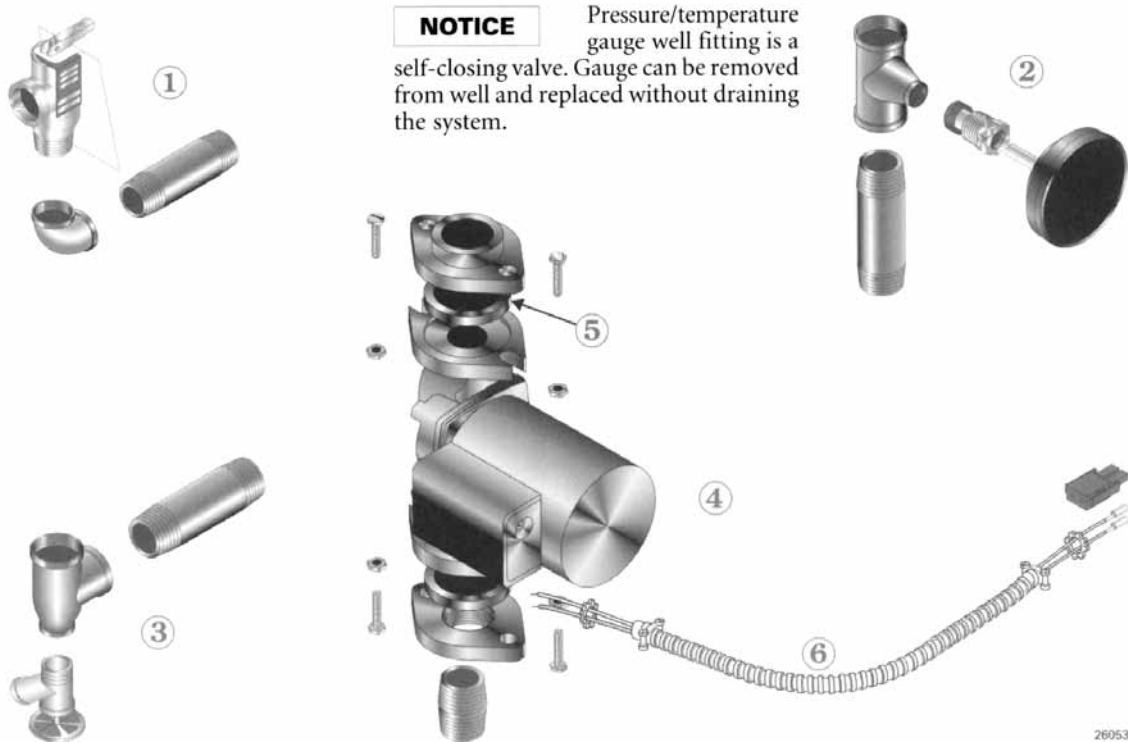
Fig. No.	Part No.	Description	Mfr.	Mfr.'s Part No.	Boiler Size	Notes
	381-356-515	Base Insulation Kit (Includes insulation for all base parts plus gasket material needed between block assembly and base)	Weil-McLain		3	
	381-356-516	Base Insulation Kit (Same as above)	Weil-McLain		4	
	381-356-517	Base Insulation Kit (Same as above)	Weil-McLain		5	
	381-356-518	Base Insulation Kit (Same as above)	Weil-McLain		6	
	381-356-522	Base Assembly Kit (Includes base panels, items 1,2,3,4,5,6,7,8,11, and 13, plus insulation, air box gaskets, and hardware)	Weil-McLain		3	
	381-356-523	Base Assembly Kit (Same as above)	Weil-McLain		4	
	381-356-524	Base Assembly Kit (Same as above)	Weil-McLain		5	
	381-356-525	Base Assembly Kit (Same as above)	Weil-McLain		6	

## CGs Base Assembly

	381-356-501	Inlet Air Box Top Panel Kit (Includes items 13 and 14)	Weil-McLain		3	
	381-356-502	Inlet Air Box Top Panel Kit (Same as above)	Weil-McLain		4	
	381-356-503	Inlet Air Box Top Panel Kit (Same as above)	Weil-McLain		5	
	381-356-504	Inlet Air Box Top Panel Kit (Same as above)	Weil-McLain		6	
	381-356-508	Inlet Air Box Front Panel Kit (Includes items 11 and 12)	Weil-McLain		3	
	381-356-509	Inlet Air Box Front Panel Kit (Same as above)	Weil-McLain		4	
	381-356-510	Inlet Air Box Front Panel Kit (Same as above)	Weil-McLain		5	
	381-356-511	Inlet Air Box Front Panel Kit (Same as above)	Weil-McLain		6	
1	N/A	Base pan (In base assembly)	Weil-McLain		All	
2	550-320-219	Boiler Leg Kit	Weil-McLain		All	
3	N/A	Heat Shield (In base assembly)	Weil-McLain		All	
4	N/A	Burner Baffle (In base assembly)	Weil-McLain		All	
5	N/A	Base Left Side Panel (In base assembly)	Weil-McLain		All	
6	N/A	Base Right Side Panel (In base assembly)	Weil-McLain		All	
7	N/A	Base Back Panel (In base assembly)	Weil-McLain		All	
8	N/A	Base Front Cross-tie Assembly (In base assembly)	Weil-McLain		All	
9	450-003-689	Pilot Bracket	Weil-McLain		All	
10	511-330-080	Pilot Burner Assembly – Natural Gas	PSE	PSE-NA231	All	
	511-330-081		PSE	PSE-LP231	All	
11	N/A	Inlet Air Box Front Panel (In inlet air box front panel kit)	Weil-McLain		All	
12	N/A	Inlet Air Box Front Panel Gasket (Use Air Inlet Box gasket)	Weil-McLain		All	
13	N/A	Inlet Air Box Top Panel (In inlet air box top panel kit)	Weil-McLain		All	
14	N/A	Inlet Air Box Top Panel Gasket (Use Air Inlet Box gasket)	Weil-McLain		All	
	590-317-400	Air Inlet Box Gasket (8' long, must be cut to length)	Weil-McLain		All	
15	591-126-722	Manifold	Weil-McLain		3	
	591-126-723	Manifold	Weil-McLain		4	
	591-126-724	Manifold	Weil-McLain		5	
	591-126-725	Manifold	Weil-McLain		6	
16	590-317-406	Manifold Mounting Gasket	Weil-McLain		All	
17	450-003-690	Burner Mounting Panel	Weil-McLain		3	
	450-003-691	Burner Mounting Panel	Weil-McLain		4	
	450-003-692	Burner Mounting Panel	Weil-McLain		5	
	450-003-693	Burner Mounting Panel	Weil-McLain		6	
18	550-320-160	Rear Spacer Strip	Weil-McLain		3	
	550-320-161	Rear Spacer Strip	Weil-McLain		4	
	550-320-162	Rear Spacer Strip	Weil-McLain		5	
	550-320-163	Rear Spacer Strip	Weil-McLain		6	
19	512-200-076	Burner	Weil-McLain		All	
20	560-529-077	Burner rifice – Natural Gas, Sea Level 27mm	Weil-McLain		All	
	560-529-078	Burner Orifice – LP Gas, Sea Level 1.65mm	Weil-McLain		All	
21	512-050-230	Thermal Fuse Element, 229° C	Elmwood Sensor	RD226-001	All	
			Microtemp	G4AM0600 229C		
22	591-850-064	Grommet for Sealing Pilot tubing/wiring Opening to Combustion Air Box	Weil-McLain		All	
23	591-491-216	Inspection port Clear Plug	Weil-McLain		All	
24	N/A	Hex Nut for Burner End Stud (5 mm) Purchase Locally				

Number of burners CGs-3 - 2 burners, CGs-4 - 3 burners, CGs-5 - 4 burners, CGs-6 - 5 burners.

## CGs Trim



26053

Fig. No.	Part No.	Description	Mfr.	Mfr.'s Part No.	Boiler Size	Notes
1	511-546-920	Pressure Relief Valve, ASME, 30 PSIG, 3/4" Male Inlet*	Conbraco	10-407-10	All	
		Pressure Relief Valve, ASME, 30 PSIG, 3/4" Male Inlet*	Watts	M330		
	511-546-924	Pressure Relief Valve, ASME, 30 PSIG, 3/4" Female Inlet*	Conbraco	10-408-5	All	
		Pressure relief Valve, ASME, 30 PSIG, 3/4" Female Inlet*	Watts	335		
2	380-000-000	Combination Pressure-Temperature Gauge kit, 60° - 360° F., 0 - 75 psi, 3 1/8" Dia, 1/4" NPT, Short Shank, with 1/4" x 1/2" reducing bushing	Weil-McLain		All	
3	511-210-423	Drain Valve, 3/4"	Conbraco	31-606-01	All	
	511-246-392	Drain Valve, 3/4"	Hammond	710	All	
		Drain Valve, 3/4"	Watts	BD-2C		
		Drain Valve, 3/4"	Nibco	74		
4	511-405-118	Circulator*	Bell & Gossett	NRF-22	All	
	511-405-126	Circulator*	Grundfos	UP15-42FR-TB4	All	
	511-405-113	Circulator*	Taco	007		
5	590-317-535	Circulator Gasket, Universal (2 per boiler)	Weil-McLain		All	
NS	381-354-525	Circulator Hardware Kit, Includes - 1 Flange, 1 gasket, 2 Nuts, 2 Screws - 1" NPT	Weil-McLain		3, 4, 5	
NS	381-354-526	Circulator Hardware Kit, Includes - 1 Flange, 1 gasket, 2 Nuts, 2 Screws - 1 1/4" NPT	Weil-McLain		6	
6	381-356-528	Circulator Wiring Harness Kit, with Molex (Loose)	Weil-McLain		All	

\* Pipe Fittings Available Locally

## CGs Gas Controls

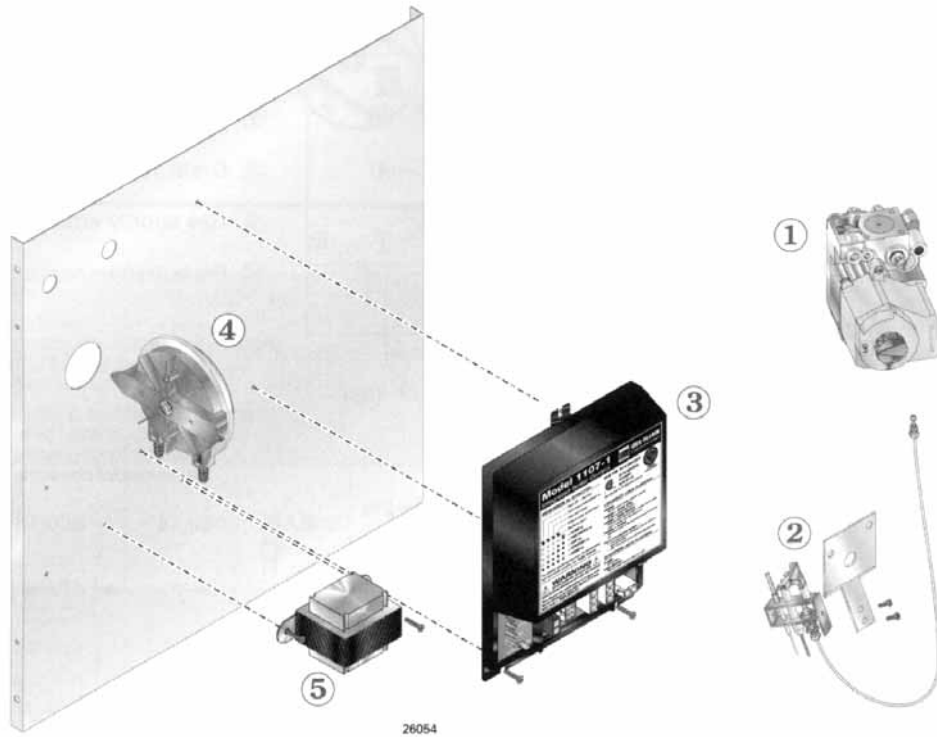
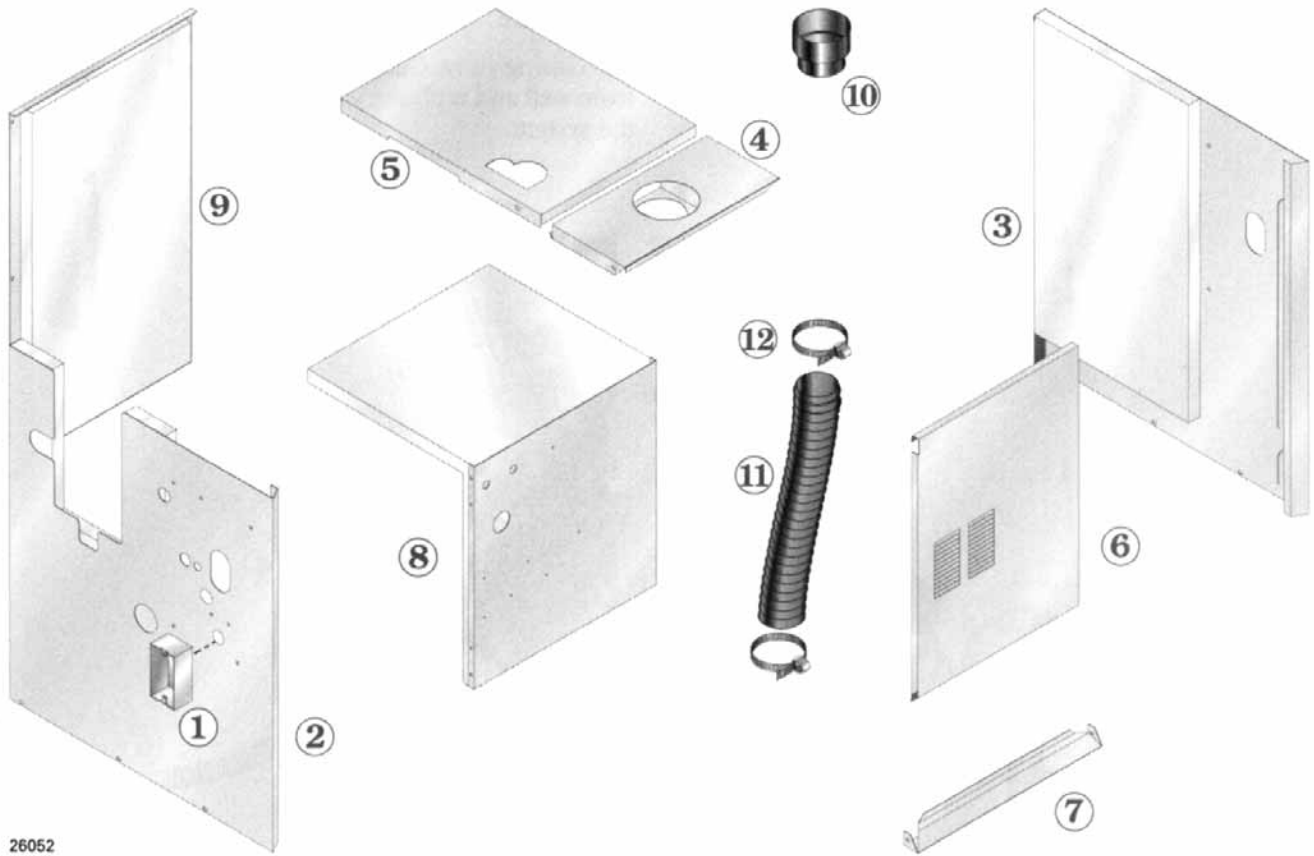


Fig. No.	Part No.	Description	Mfr.	Mfr.'s Part No.	Boiler Size	Notes
<b>NATURAL GAS COMPONENTS</b>						
1	381-356-532	Gas Valve, 1/2" x 1/2" with hose barb(Replacement kit)	Honeywell	VR8204A-2019	All	
2	511-330-080	Pilot Assembly Kit with Orifice and Aluminum Pilot Gas Tubing	PSE	PSE-NA231	All	
<b>PROPANE GAS COMPONENTS</b>						
1	381-356-533	Gas Valve, 1/2" x 1/2" with hose barb(Replacement kit)	Honeywell	VR8204M-2719	All	
2	511-330-081	Pilot Assembly Kit with Orifice and Aluminum Pilot Gas Tubing	PSE	PSE-LP231	All	
<b>NATURAL GAS AND PROPANE GAS COMPONENTS</b>						
3	511-330-090	Control Module with 10 second pre-purge	United Technologies	1107-1	All	
NS	591-391-894	Wiring Harness	Weil-McLain		All	
4	511-624-401	Air Pressure Switch 0' to 1999', 1.79" W.C.	Tri-Delta	PPS10171-3013	3	
	511-624-402	Air Pressure Switch 0' to 1999', 1.48" W.C.	Tri-Delta	PPS10171-3014	4	
	511-624-403	Air Pressure Switch 0' to 1999', 1.22" W.C.	Tri-Delta	PPS10171-3015	5	
	511-624-404	Air Pressure Switch 0' to 1999', .95" W.C.	Tri-Delta	PPS10171-3016	6	
5	511-842-370	Control Transformer, 24 V. Sec. 40 VA	Honeywell		All	
	511-842-370	Control Transformer, 24V. Sec. 40 VA	Basler Elec.	BE111640 GDD		
NS	590-317-650	Tubing, Air Pressure Switch, 1/8" I.D. x 15" Silicone, Red to Collector Hood	Weil-McLain		All	
NS	590-317-651	Tubing, Air Pressure Switch, 1/8" I.D. x 17" Silicone, White to Transition	Weil-McLain		All	
NS	510-811-096	Natural to LP Conversion Kit CGs 3-6			All	
NS	510-811-097	LP To Nat Conversion Kit CGs 3-6			All	

## CGs Jackets



26052

Boiler Model	1	2		3	4	5	6	Boiler Model
	Junction box, 2 x 4	Panel, left side, with insulation		Panel, right side, with insulation	Panel, top front, with insulation	Panel, top rear, with insulation	Panel, door	
		Natural Gas	Propane Gas					
	<b>Weil-McLain part number</b>							
CGs-3 CGs-4 CGs-5 CGs-6	(Available at local supply house)	381-355-701 381-355-708 381-355-715 381-355-722	381-355-729 381-355-732 381-355-735 381-355-738	381-355-760 431-223-311 431-223-311 431-223-311	381-355-403 381-355-413 381-355-420 381-355-427	381-355-706 381-355-713 381-355-720 381-355-727	381-355-707 381-355-714 381-355-721 381-355-728	CGs-3 CGs-4 CGs-5 CGs-6
Boiler Model	7	8	9	10	11	12	Not shown	Boiler Model
	Cross tie, bottom front	Panel, interior, with insulation	Panel, rear, with insulation	Air inlet fitting	Inlet air hose	Hose clamp 3"	Gold touch-up paint	
	<b>Weil-McLain part number</b>							
CGs-3 CGs-4 CGs-5 CGs-6	431-223-325 431-223-326 431-223-327 431-223-328	381-355-540 381-355-552 381-355-559 381-355-566	431-223-300 431-223-301 431-223-302 431-223-303	560-907-635	562-302-573	591-850-068	592-000-000	CGs-3 CGs-4 CGs-5 CGs-6