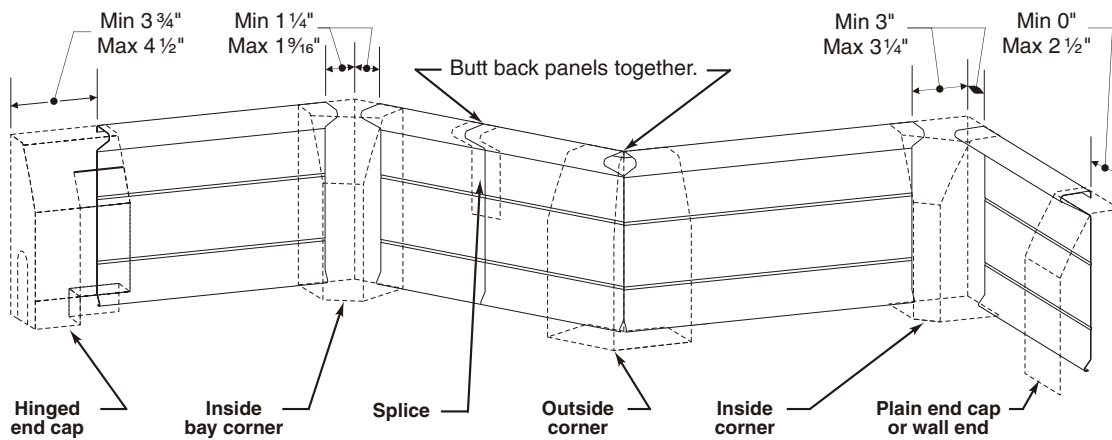


THERMA TRIM

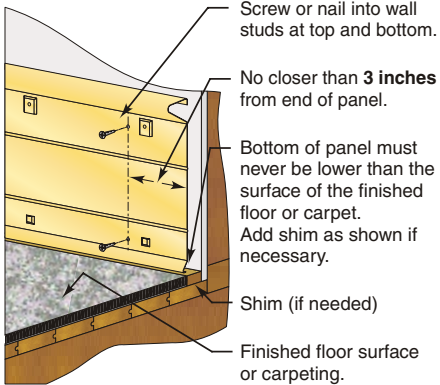
MODEL TT HYDRONIC BASEBOARD ASSEMBLY INSTRUCTIONS

1 Position back panels

Back panels must be positioned correctly to accommodate accessories, as shown below.

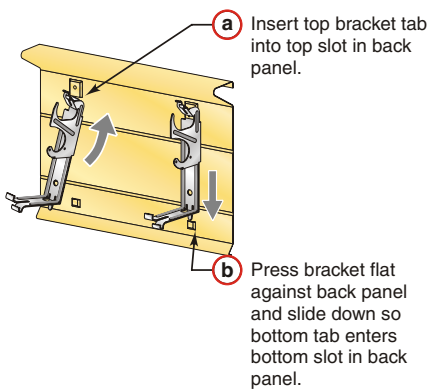


2 Attach back panel to wall



3 Install brackets

Position brackets evenly along length of panel, approximately every **2 feet**.



4 Cut element

When a shorter length is needed

