



80 Water & steam boilers

for use with Gas, Light Oil, & Gas/Light Oil – Fired Burners

Burner specifications and data

Carlin burners

Models **EZ-3HPW, 201CRD-W, 301CRD-W, 702CRD-W** and **801CRD-W** *Flame retention type, for light oil firing*

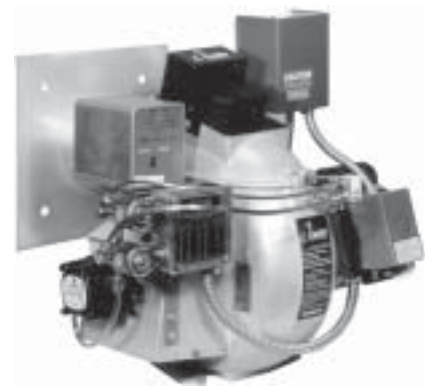
Model EZ-3HPW



Models 201CRD-W and 301CRD-W



Models 702CRD-W and 801CRD-W



Burner Model Number	Motor Size H.P. (3450 RPM)	Standard motor Electrical Characteristics	Optional Motor Electrical Characteristics	Approximate Shipping Weight (lbs)
EZ-3HPW	1/7	120/60/0	240/60/0	45
201CRD-W	1/4	120/60/1	240/60/1	58
301CRD-W	1/4	120/60/1	240/60/1	58
702CRD-W	1/2	120/60/1	240/60/1	75
801CRD-W	3/4	240/60/1	208-240/60/3	90



Boiler model number	Burner Input (forced draft) No. 2 oil	Low fire firing rate No. 2 oil	Positive pressure in firebox	Standard burner model designation	Standard combustion control	Air band setting	Starting head setting	Approximate air settings
	GPH	GPH	Inches W.C.					Low fire
380	2.40	--	0.28	EZ-3HP-W	60200	2.50	2.50	--
480	3.40	--	0.28	201CRD-W	60200	60%	7/16	--
580	4.45	--	0.28	301CRD-W	60200	50%	7/16	--
680	5.50	--	0.27	301CRD-W	60200	100%	1/2	--
780	6.50	3.75	0.27	702CRD-W	60200	--	1/8	5/16
880	7.50	4.50	0.27	702CRD-W	60200	--	1/4	5/16
980	8.50	5.00	0.27	702CRD-W	60200	--	3/8	3/8
1080	9.60	5.50	0.26	702CRD-W	60200	--	9/16	3/8
1180	10.60	6.00	0.26	702CRD-W	60200	--	3/4	3/8
1280	11.60	5.50	0.26	801CRD-W	60200	--	1/4	1/8

Notes

- 1 Burner capacities listed for elevations up to 2,000 feet. For higher elevations, consult local Weil-McLain distributor/agent or sales office.
- 2 Oil ratings based on No. 2 fuel oil with heating value of 140,000 Btu per gallon.
- 3 Boiler-burner unit to be adjusted to achieve + 0.1 inches W.C. pressure at flue collar, resulting in positive pressure in firebox as listed.
- 4 60200 combustion safety control uses a cadmium sulfide cell flame detector to monitor oil flame, provides interrupted duty, recycle type operation, latch-up feature, 30-second oil valve delay on, 30-second post purge, alarm contacts and safety monitor circuit.

Burner Specification and Data Sheet



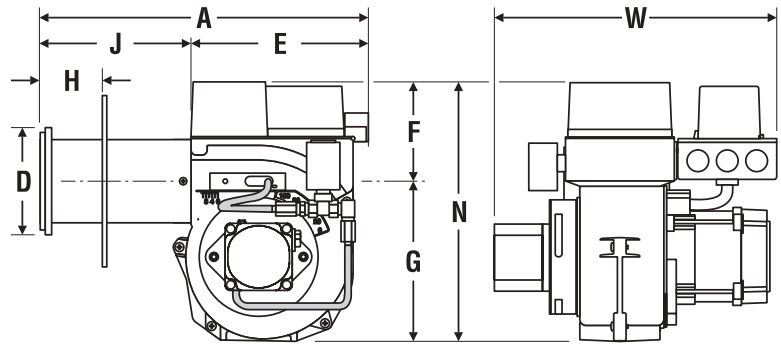
Boiler model number	Oil nozzle (one per unit)								Operating oil pressure(s) PSIG		Fuel unit Burner-motor driven 3450 RPM	
	Primary nozzle				Alternate nozzle						Type (Suntec)	Gearset capacity GPH
	Size GPH	Brand	Type	Angle	Size GPH	Brand	Type	Angle	Low fire	High fire		
380	2.00	Delavan	A	45°	2.00	Hago	H	45°	--	150	A2VA-3006	17
480	2.75	Hago	P	60°	2.75	Danfoss	AS	60°	--	150	B2YA-8916	25
580	3.75	Hago	P	60°	4.00	Delavan	B	70°	--	150	B2YA-8916	25
680	4.50	Hago	P	60°	4.50	Delavan	B	70°	--	150	B2YA-8916	25
780	3.75	Hago	P	45°	4.00	Delavan	B	60°	100	300	B2TA-8851-4	33
880	4.50	Hago	P	45°	4.50	Delavan	B	60°	100	300	B2TA-8851-4	33
980	5.00	Hago	P	45°	5.00	Delavan	B	60°	100	300	B2TA-8851-4	33
1080	5.50	Hago	P	45°	5.50	Delavan	B	60°	100	300	B2TA-8851-4	33
1180	6.00	Hago	P	45°	6.00	Delavan	B	60°	100	300	B2TA-8851-4	33
1280	5.50 (Low Fire-Top Nozzle) 4.00 (High Fire-Bottom Nozzle)	Hago	P	45°	5.50 (Low Fire-Top Nozzle) 4.00 (High Fire-Bottom Nozzle)	Delavan	B	45°	150	150	B2TA-8260	39

Notes

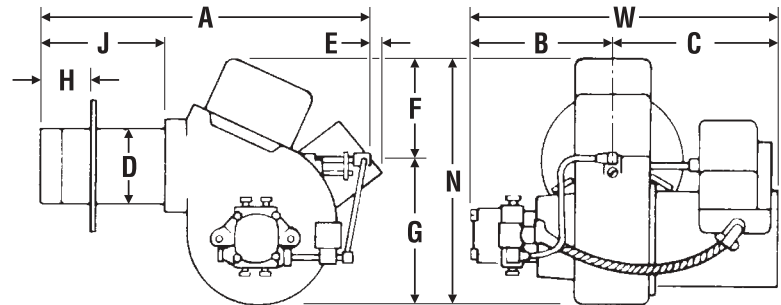
- 5 All motors furnished with integral overload protection with manual reset.
- 6 EZ-3HP-W, 201CRD-W and 301CRD-W burners are furnished for on-off operation only. 702CRD-W and 801CRD-W burners are furnished with mechanical pressure atomizing oil control system with on-off operation, low fire start, high fire run and two-position air control as standard. Low-high-low fire operation can be obtained by addition of SPST temperature or pressure controller.
- 7 Settings shown are for initial start-up. Final settings should be determined after combustion readings.
- 8 120/60/1 control circuit is used for all burners.



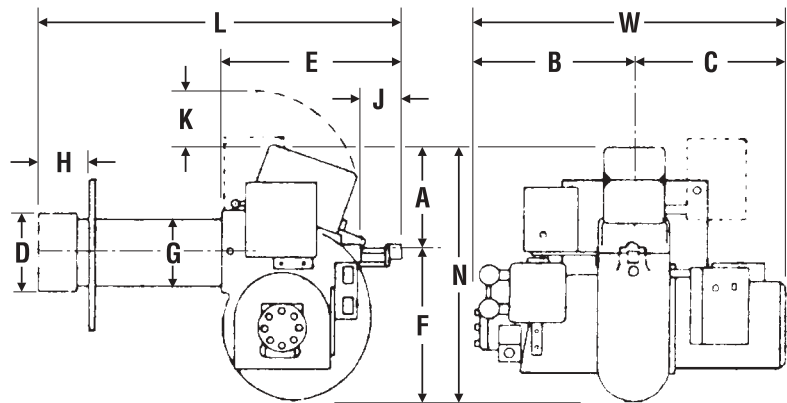
Dimensions — EZ-3HPW



Dimensions — 201CRD-W and 301CRD-W



Dimensions — 702CRD-W and 801CRD-W



Burner Model Number	Dimensions in inches												
	A	B	C	D	E	F	G	H	J	K	L	N	W
EZ-3HP-W	14.00	-	-	4.00	7.00	4.00	6.75	3.00	7.00	-	-	10.75	12.50
201CRD-W	18.63	7.88	8.38	4.13	1.00	5.50	7.75	3.00	7.00	-	-	13.25	16.25
301CRD-W	17.44	7.88	8.38	4.13	1.00	5.50	7.75	3.00	7.00	-	-	13.25	16.25
702CRD-W	7.50	9.50	10.00	5.88	13.00	9.00	4.13	4.00	3.00	3.00	20.75	16.50	19.50
801CRD-W	8.00	12.00	11.00	5.88	14.50	10.50	5.25	4.00	3.00	3.00	20.50	18.50	23.00



Weil-McLain
 500 Blaine Street
 Michigan City, IN 46360-2388
<http://www.weil-mclain.com>